

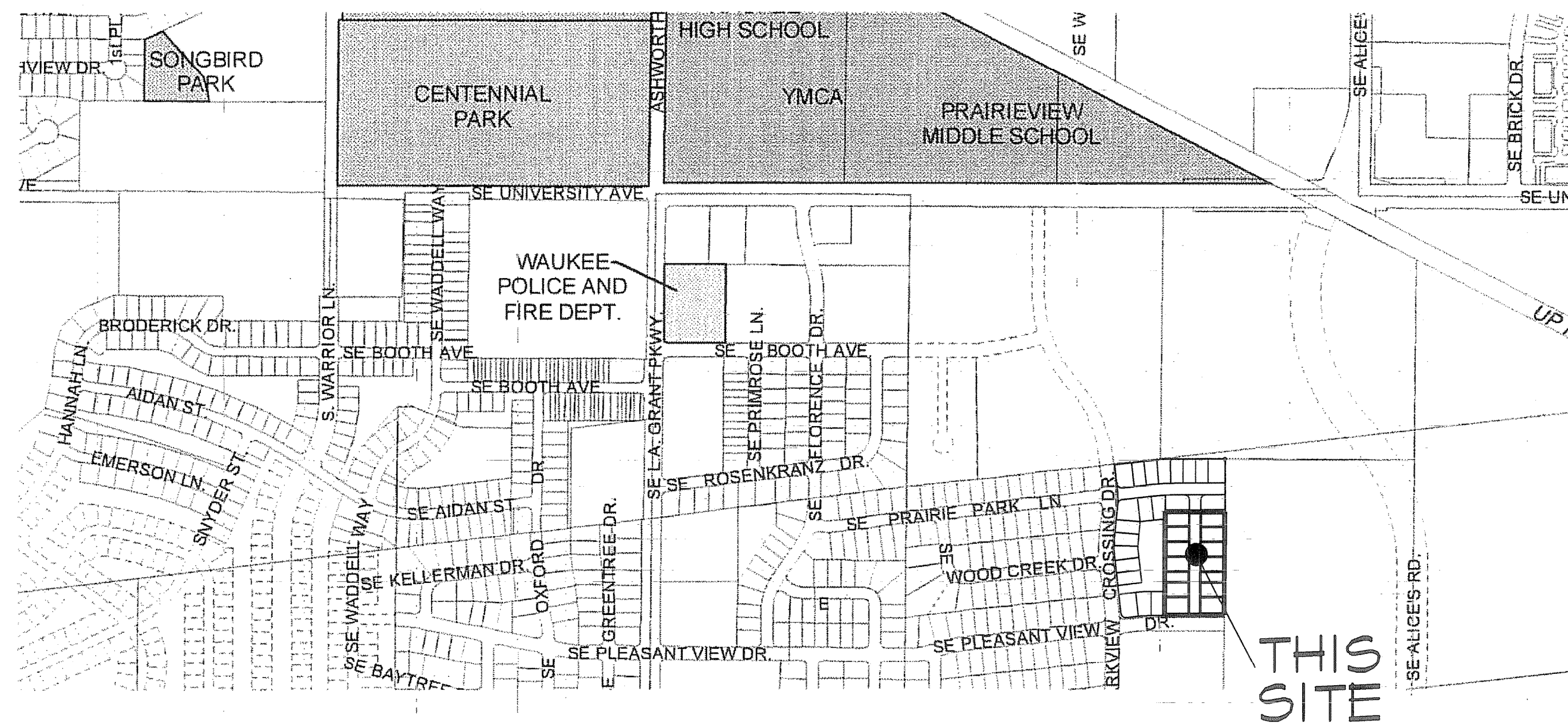
AS-BUILTS

CONSTRUCTION DRAWINGS

PARKVIEW CROSSING

PLAT 10

JERRY'S HOMES, INC. - 10430 NEW YORK AVENUE, SUITE C, - URBANDALE, IOWA 50322



VICINITY SKETCH

NO SCALE

DRAWING INDEX

- 1 SANITARY SEWER
- 2 WATER PLAN
- 3 STORM SEWER
- 4 GRADING
- 5 PAVING

BENCHMARK

CITY OF WAUKEE BENCHMARK LOCATED ON THE BURY BOLT OF THE WATER HYDRANT LOCATED ON THE N.W. CORNER OF LOT 26, PARKVIEW CROSSING PLAT 6.

ELEVATION = 1025.46

CERTIFICATION

	I HEREBY CERTIFY THAT THIS ENGINEERING DOCUMENT WAS PREPARED BY ME OR UNDER MY DIRECT PERSONAL SUPERVISION AND THAT I AM A DULY LICENSED PROFESSIONAL ENGINEER UNDER THE LAWS OF THE STATE OF IOWA.
	<i>Melissa Hills</i> 2-3-14 MELISSA M. HILLS, IOWA REG. NO. 16023 DATE MY LICENSE RENEWAL DATE IS DECEMBER 31, 2013 PAGES OR SHEETS COVERED BY THIS SEAL: ... sheets 1 - 5

CIVIL ENGINEERING CONSULTANTS, INC. 2400 86TH STREET, #12, DES MOINES, IOWA 50322

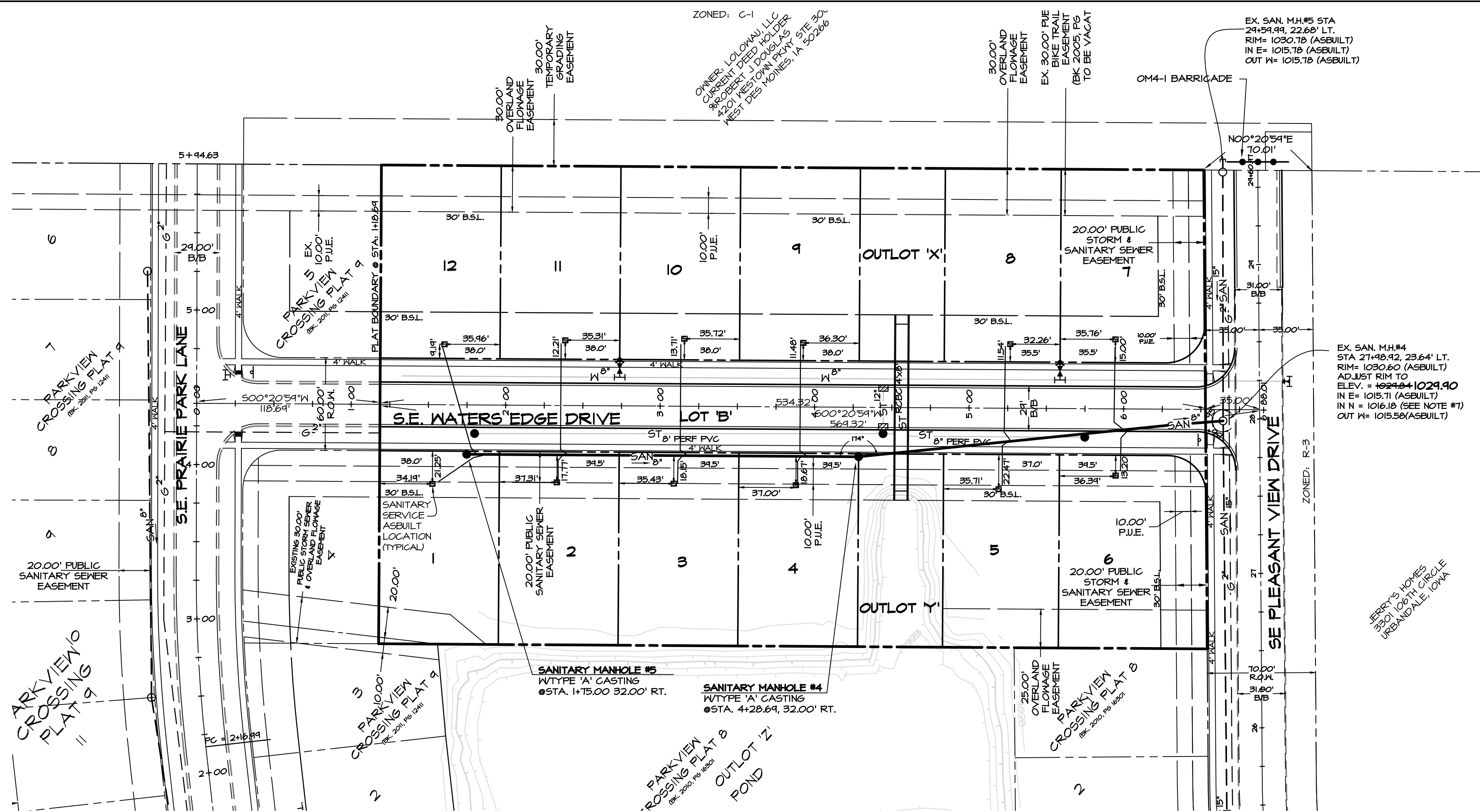
START DATE: 11/14/2012

COMPLETION DATE: 7/15/2013

CONTRACTOR:

PIPE	GATOR EXCAVATING
GRADING	SEAMUS EXCAVATING
CONCRETE	MANATTS

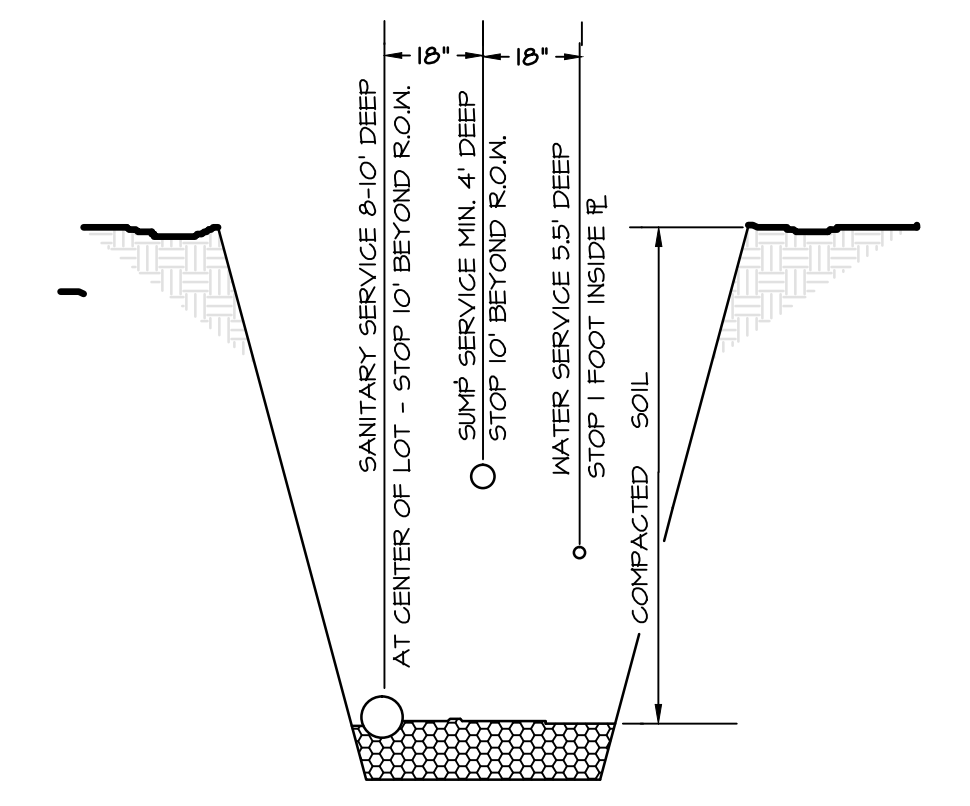
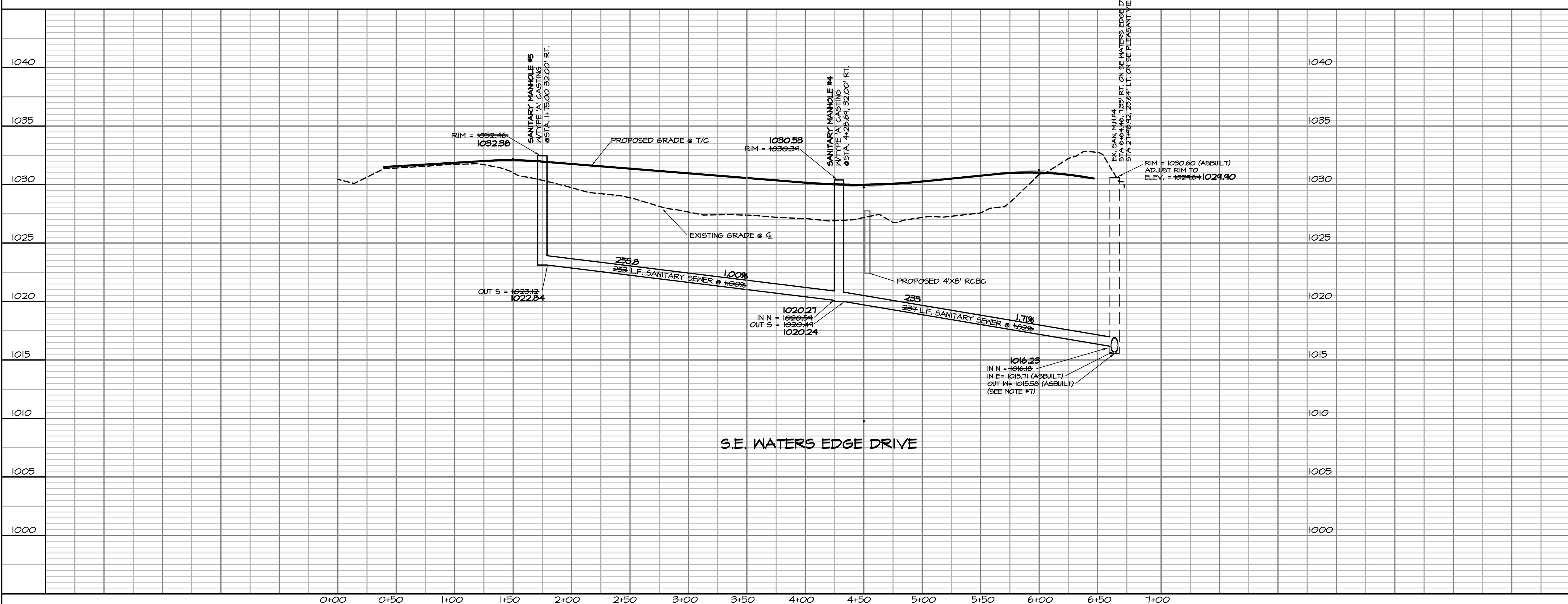
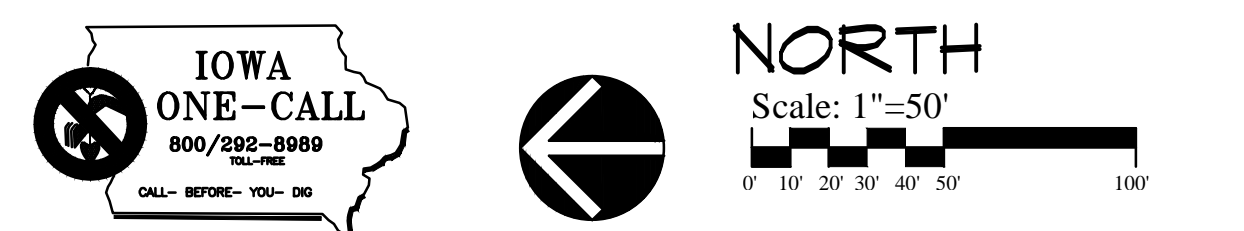
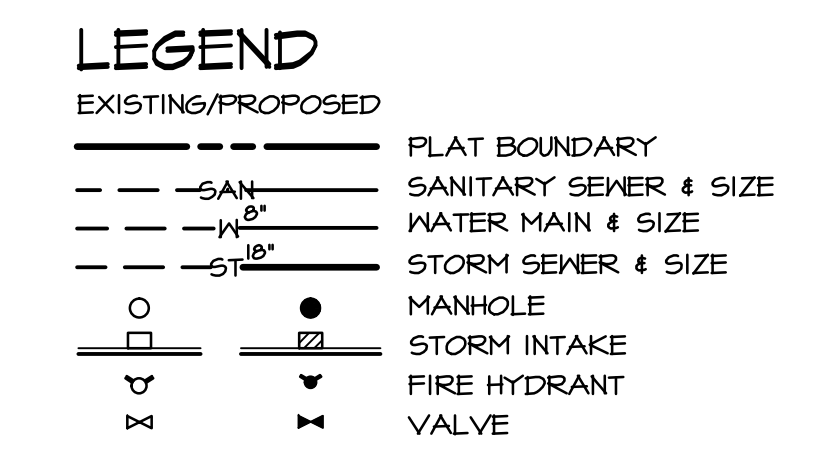
DATE: JUNE 11, 2011
 REVISION: JULY 06, 2012
 JULY 18, 2012
 JULY 26, 2012
 AUGUST 22, 2012 (GRADING SHEET ONLY)
 ASBUILT: JUNE 25, 2013



- ### NOTES
- ALL CONSTRUCTION (PUBLIC & PRIVATE) SHALL BE IN ACCORDANCE WITH THE MAUKEE STANDARD SPECIFICATIONS FOR PUBLIC IMPROVEMENTS IN EFFECT AT THE TIME OF CONSTRUCTION. CURRENT SPECIFICATIONS ARE AVAILABLE ONLINE AT: WWW.MAUKEE.ORG/PDF/S/MKEE_STD_SPEC_2008A.PDF
 - CONTRACTOR SHALL ARRANGE FOR TESTING AND INSPECTION AND NOTIFY THE FOLLOWING AT LEAST ONE WEEK PRIOR TO BEGINNING CONSTRUCTION:
 - CITY OF MAUKEE ENGINEERS OFFICE
 - JERRY'S HOMES, INC.
 - CIVIL ENGINEERING CONSULTANTS, INC.
 - IOWA ONE-CALL
 - THE LOCATION OF EXISTING FACILITIES AND APPURTENANCES SHOWN ON THIS PLAN ARE BASED ON AVAILABLE INFORMATION WITHOUT UNCOVERING AND MEASURING TO DETERMINE EXACT FACILITIES LOCATIONS. CIVIL ENGINEERING CONSULTANTS, INC. DOES NOT GUARANTEE THE LOCATION OF EXISTING FACILITIES AS SHOWN, OR THAT ALL EXISTING FACILITIES ARE SHOWN. IT IS THE CONTRACTOR'S RESPONSIBILITY TO CONTACT ALL PUBLIC AND PRIVATE UTILITY PROVIDERS SERVING THIS AREA, AND IOWA ONE CALL, TO DETERMINE THE EXTENT AND PRECISE LOCATION OF EXISTING FACILITIES BEFORE CONSTRUCTION BEGINS.
 - THE CONTRACTOR SHALL PROTECT EXISTING ON-SITE FACILITIES FROM DAMAGE RESULTING FROM THE CONTRACTOR'S WORK. IF DAMAGE, BREAKAGE, INTERRUPTION OF SERVICE, ETC. OF EXISTING FACILITIES DOES OCCUR THE CONTRACTOR SHALL IMMEDIATELY CONTACT THE UTILITY'S OWNER.
 - CASTING TYPES ARE FROM SUDAS SPECS.
 - CONTRACTOR IS RESPONSIBLE FOR REPAIRING AND RECONNECTING ANY FARM TILE DAMAGED DURING CONSTRUCTION & FOR RECORDING THE LOCATION OF TILE.
 - WHEN CONNECTING TO ANY EXISTING MANHOLE, CORE DRILL MANHOLE & POUR WELL DEFINED INVERT. CONNECTION SHALL BE CONSTRUCTED WITH A WATERTIGHT SEAL. CONTRACTOR SHALL FIELD VERIFY THE INVERT INTO EXISTING MANHOLE #1 TO DETERMINE IF THE PROPOSED FLOW LINE NEEDS TO BE RAISED IN ORDER TO POUR A WELL DEFINED INVERT.
 - CONTRACTOR SHALL BE RESPONSIBLE FOR RECORDING AS-BUILT LOCATIONS OF ALL SANITARY SEWER SERVICES & PROVIDING THIS INFORMATION TO THE ENGINEER.
 - THE CONTRACTOR SHALL CLEAN AND VIDEO TAPE THE SANITARY SEWER AT PROJECT COMPLETION. A COPY OF THE VIDEO SHALL BE PROVIDED TO THE CITY OF MAUKEE ENGINEERING DEPARTMENT.

QUANTITIES

480 LF.	8-INCH SANITARY SEWER
2 EA.	TYPE 'A' MANHOLE SERVICES
12 EA.	



SANITARY & SUMP SERVICES SHALL BE MARKED AT THE END OF PIPE WITH A 2X4 TO THE SURFACE & A STEEL FENCE POST. PLACE ONE 6 FT. STEEL POST BURIED 3 FT. AT WATER CURB BOX. COLOR MARKING OF SERVICES SHALL BE RED FOR SANITARY, GREEN FOR SUMPS AND BLUE FOR WATER.

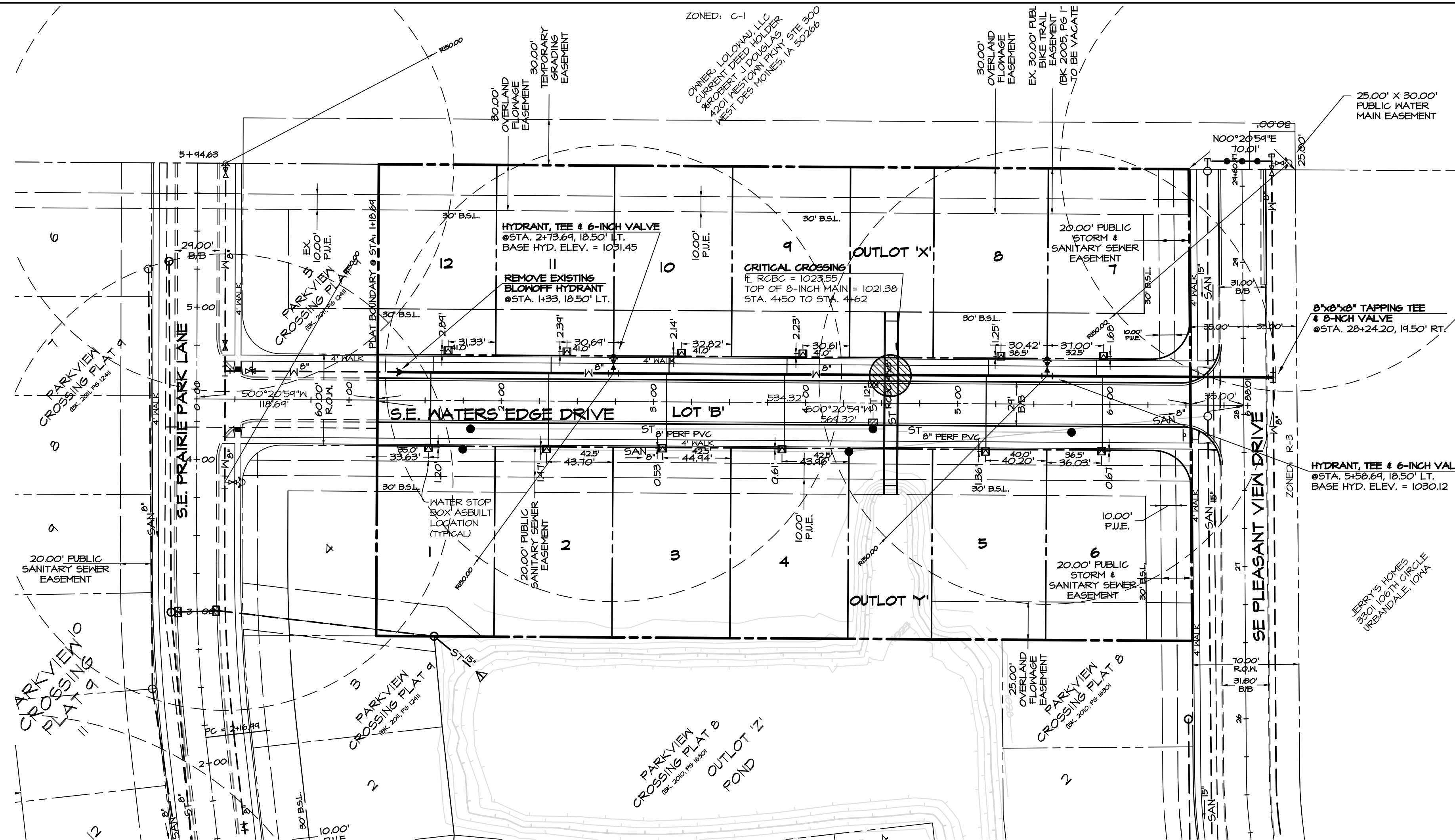
SERVICE LOCATION DETAIL (TYP.)

(SEE EACH LOT ON SPECIFIC PLAN)

NO SCALE

SCALE	5'
DATE: 06-11-2012	SHEET 1 OF 5
REVISION: 07-06-2012	
REVISION: 07-18-2012	
REVISION: 07-26-2012	
ASBUILT: JUNE 25, 2013	

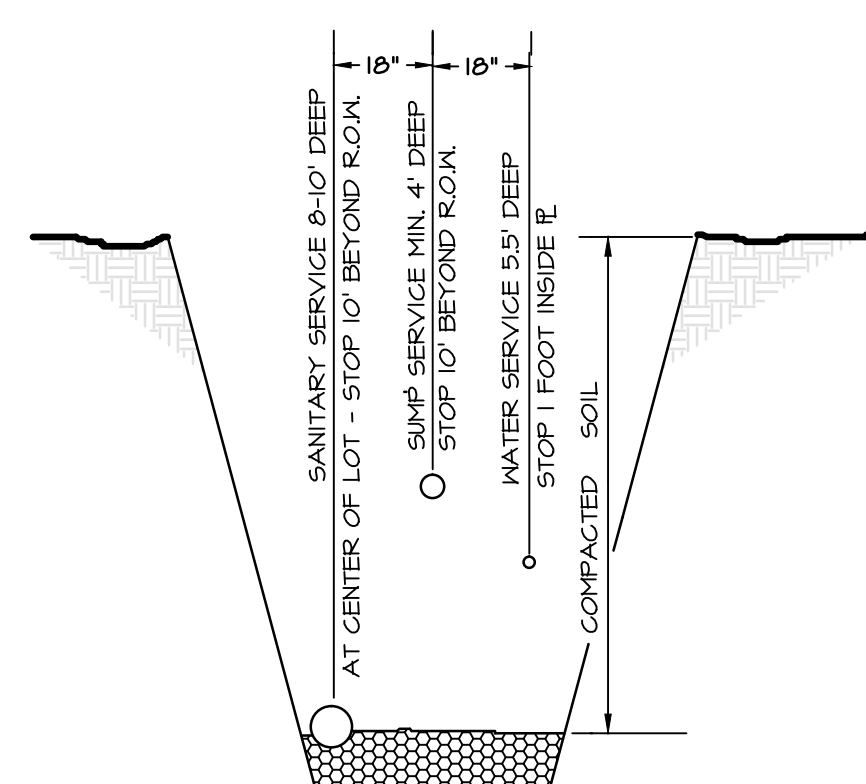
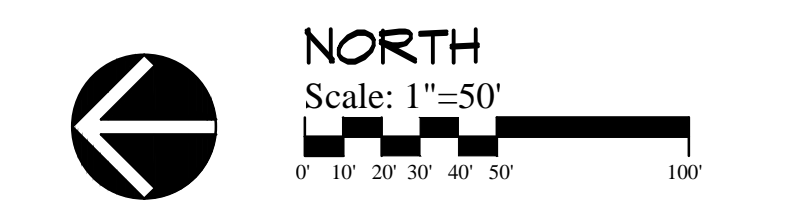
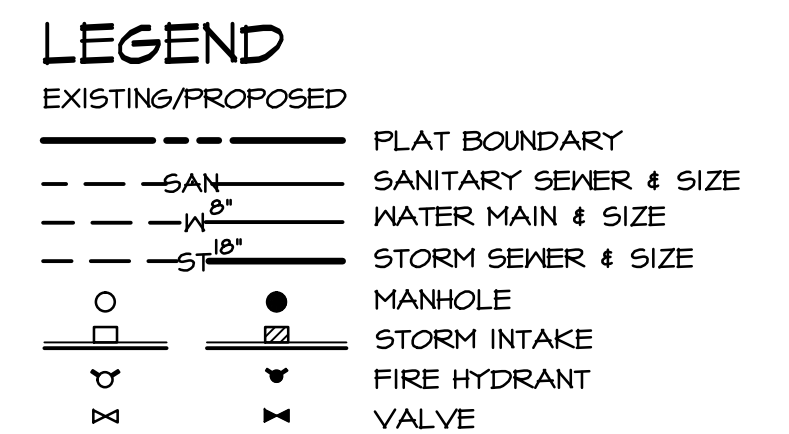
PLAN & PROFILE - SANITARY SEWER - SE WATERS EDGE DRIVE - PARKVIEW CROSSING PLAT 10
 JERRY'S HOMES, INC. - 10430 NEW YORK AVENUE, SUITE C - URBANDALE, IOWA 50322
 CIVIL ENGINEERING CONSULTANTS, INC. 2400 86TH STREET, #12, DES MOINES, IOWA 50322



- NOTES**
- ALL CONSTRUCTION (PUBLIC & PRIVATE) SHALL BE IN ACCORDANCE WITH THE MAUIKEE STANDARD SPECIFICATIONS FOR PUBLIC IMPROVEMENTS IN EFFECT AT THE TIME OF CONSTRUCTION. CURRENT SPECIFICATIONS ARE AVAILABLE ONLINE AT: WWW.MAUIKEE.ORG/MAUIKEE_STDSPEC_2005A.PDF
 - CONTRACTOR SHALL ARRANGE FOR TESTING AND INSPECTION AND NOTIFY THE FOLLOWING AT LEAST ONE WEEK PRIOR TO BEGINNING CONSTRUCTION.
 - CITY OF MAUIKEE ENGINEERS OFFICE
 - JERRY'S HOMES, INC.
 - CIVIL ENGINEERING CONSULTANTS, INC.
 - IOWA ONE-CALL
 - THE LOCATION OF EXISTING FACILITIES AND APPURTENANCES SHOWN ON THIS PLAN ARE BASED ON AVAILABLE INFORMATION WITHOUT UNCOVERING AND MEASURING TO DETERMINE EXACT FACILITIES LOCATIONS. CIVIL ENGINEERING CONSULTANTS, INC. DOES NOT GUARANTEE THE LOCATION OF EXISTING FACILITIES AS SHOWN, OR THAT ALL EXISTING FACILITIES ARE SHOWN. IT IS THE CONTRACTOR'S RESPONSIBILITY TO CONTACT ALL PUBLIC AND PRIVATE UTILITY PROVIDERS SERVING THIS AREA, AND IOWA ONE CALL, TO DETERMINE THE EXTENT AND PRECISE LOCATION OF EXISTING FACILITIES BEFORE CONSTRUCTION BEGINS.
 - THE CONTRACTOR SHALL PROTECT EXISTING ON-SITE FACILITIES FROM DAMAGE RESULTING FROM THE CONTRACTOR'S WORK. IF DAMAGE, BREAKAGE, INTERRUPTION OF SERVICE, ETC. OF EXISTING FACILITIES DOES OCCUR THE CONTRACTOR SHALL IMMEDIATELY CONTACT THE UTILITY'S OWNER.
 - PIPE MATERIALS: DUCTILE IRON IN ACCORDANCE WITH STANDARD SPECIFICATIONS OR AWWA C900 DR - 10 PVC INSTALL NO. 10 THIN STANDARD COPPER TRACER WIRE TO SURFACE AT FIRE HYDRANTS, VALVES, AND NEW DEAD ENDS. CONNECT NEW TRACER TO EXISTING.
 - THE CONTRACTOR SHALL VERIFY THE LOCATION AND PROTECT ALL UTILITIES AND STRUCTURES. DAMAGE TO UTILITIES AND STRUCTURES SHALL BE REPAIRED BY THE CONTRACTOR AT THE CONTRACTOR'S EXPENSE TO THE SATISFACTION OF THE OWNER.
 - THE CONTRACTOR SHALL PROTECT AND BACKFILL AROUND ALL UTILITIES AND STRUCTURES. BACKFILL SHALL BE IN 6-INCH LAYERS AND COMPACTED TO 95% STANDARD PROCTOR DENSITY, & 0% TO +4% OPTIMUM MOISTURE CONTENT.
 - HYDRANTS, MANHOLE COVERS, AND VALVE BOXES SHALL BE SET TO CONFORM TO FINISHED PAVEMENT ELEVATIONS.
 - SERVICES TO BE 1-INCH COPPER, STOP BOXES TO BE MULLER H-10500 OR EQUAL.
 - THE CONTRACTOR SHALL BE RESPONSIBLE FOR RECORDING THE AS-BUILT LOCATION OF ALL WATER SERVICES AND PROVIDING THIS INFORMATION TO THE ENGINEER.
 - HYDRANTS SHALL BE SET NOT MORE THAN 4 FEET FROM MAIN.
 - IF DISCREPANCY EXISTS BETWEEN THE DETAILED PLANS AND THE QUANTITIES, THE PLANS SHALL GOVERN.
 - AN APPROVED SADDLE SHALL BE USED FOR ALL WATER SERVICE TAPS.
 - CONTRACTOR SHALL USE A 4" LOCKING STORZ CONNECTION IN PLACE OF THE NST STEAMER ON ALL NEW HYDRANTS.

QUANTITIES

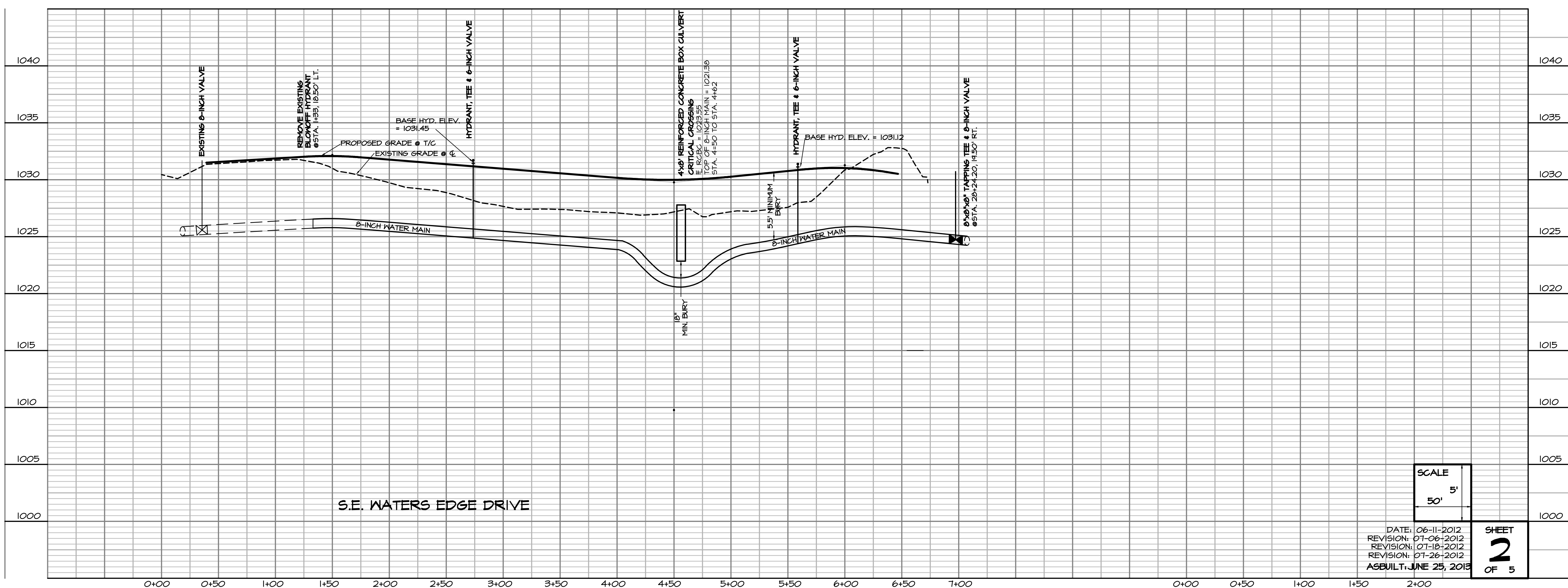
574 LF.	8-INCH WATER MAIN
2 EA.	HYDRANT, TEE & 6-INCH VALVE
1 EA.	8"x8"x8" TAPPING TEE
1 EA.	8-INCH VALVE
12 EA.	SERVICES



SANITARY & SUMP SERVICES SHALL BE MARKED AT THE END OF PIPE WITH A 2X4 TO THE SURFACE & A STEEL FENCE POST. PLACE ONE 6 FT. STEEL POST BURIED 3 FT. AT WATER CURB BOX. COLOR MARKING OF SERVICES SHALL BE RED FOR SANITARY, GREEN FOR SUMPS AND BLUE FOR WATER.

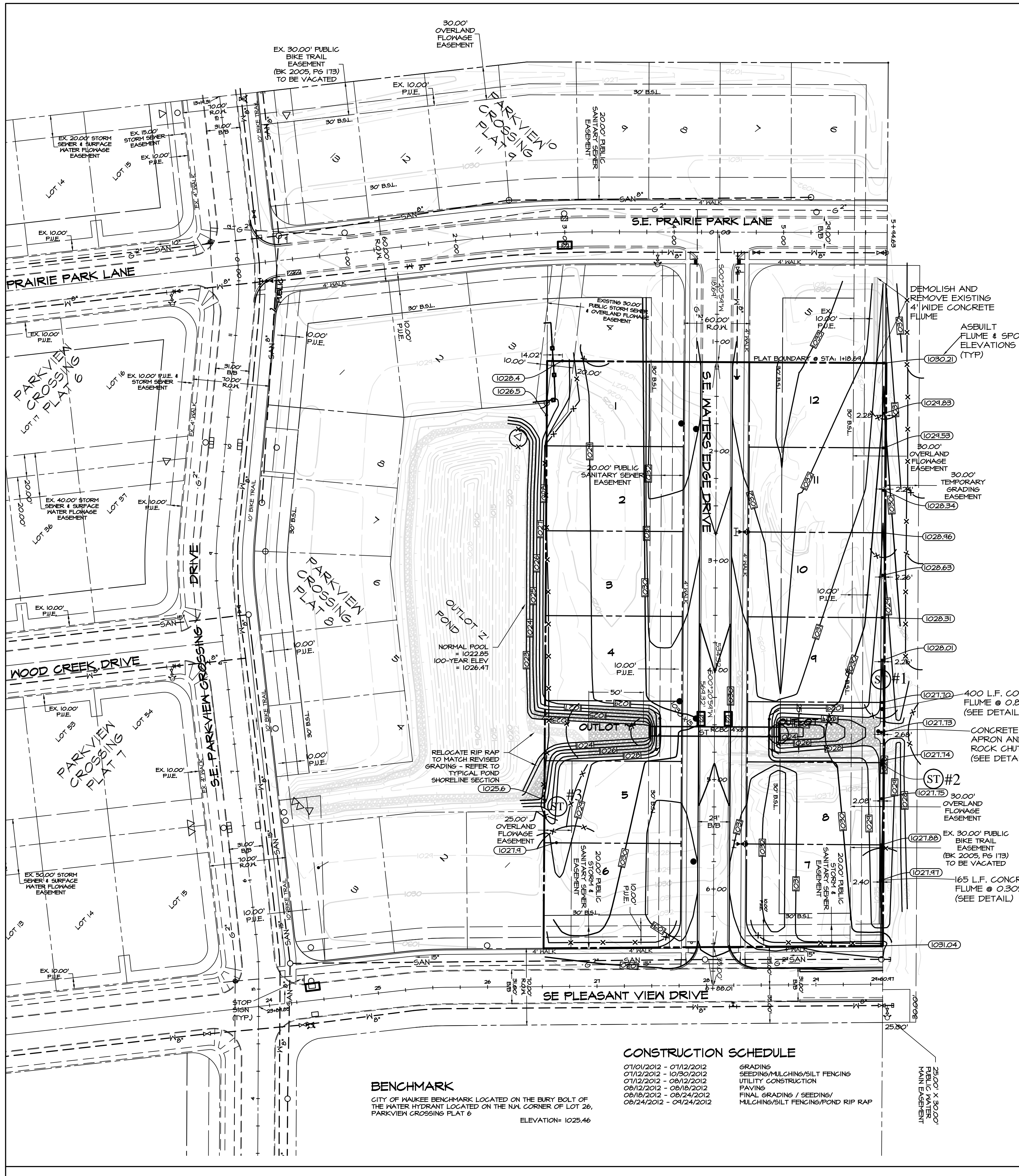
SERVICE LOCATION DETAIL (TYP.)
(SEE EACH LOT ON SPECIFIC PLAN)

NO SCALE



SCALE	5'
DATE: 06-11-2012	SHEET 2 OF 5
REVISION: 07-06-2012	
REVISION: 07-18-2012	
REVISION: 07-26-2012	
ASBUILT: JUNE 25, 2013	

PLAN & PROFILE - WATER MAIN - SE WATERS EDGE DRIVE - PARKVIEW CROSSING PLAT 10
 JERRY'S HOMES, INC. - 10430 NEW YORK AVENUE, SUITE C - URBANDALE, IOWA 50322
 CIVIL ENGINEERING CONSULTANTS, INC. 2400 86TH STREET, #12, DES MOINES, IOWA 50322

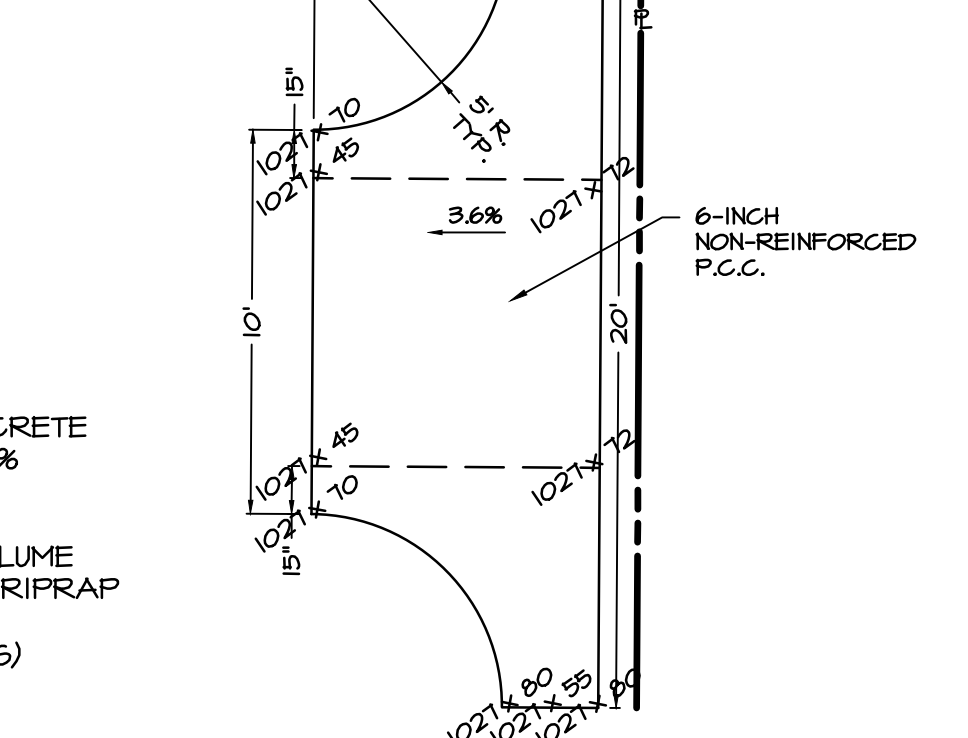


GRADING AND EROSION CONTROL NOTES

- ALL CONSTRUCTION (PUBLIC & PRIVATE) SHALL BE IN ACCORDANCE WITH THE WAUKEE "STANDARD SPECIFICATIONS FOR PUBLIC IMPROVEMENTS IN EFFECT AT THE TIME OF CONSTRUCTION. CURRENT SPECIFICATIONS ARE AVAILABLE ONLINE AT: WWW.WAUKEE.ORG/PDF/S/KKEE_STD_SPEC_2005A.PDF
- CONTRACTOR SHALL ARRANGE FOR TESTING AND INSPECTION AND NOTIFY THE FOLLOWING AT LEAST ONE WEEK PRIOR TO BEGINNING CONSTRUCTION:
 - CITY OF WAUKEE
 - JERRY'S HOMES, INC.
 - CIVIL ENGINEERING CONSULTANTS, INC.
 - IOWA ONE-CALL
- THE LOCATION OF EXISTING FACILITIES AND APPURTENANCES SHOWN ON THIS PLAN ARE BASED ON AVAILABLE INFORMATION WITHOUT UNCOVERING AND MEASURING TO DETERMINE EXACT FACILITIES LOCATIONS. CIVIL ENGINEERING CONSULTANTS, INC. DOES NOT GUARANTEE THE LOCATION OF EXISTING FACILITIES AS SHOWN, OR THAT ALL EXISTING FACILITIES ARE SHOWN. IT IS THE CONTRACTOR'S RESPONSIBILITY TO CONTACT ALL PUBLIC AND PRIVATE UTILITY PROVIDERS SERVING THIS AREA, AND IOWA ONE CALL, TO DETERMINE THE EXTENT AND PRECISE LOCATION OF EXISTING FACILITIES BEFORE CONSTRUCTION BEGINS.
- THE CONTRACTOR SHALL PROTECT EXISTING ON-SITE FACILITIES FROM DAMAGE RESULTING FROM THE CONTRACTOR'S WORK. IF DAMAGE, BREAKAGE, INTERRUPTION OF SERVICE, ETC. OF EXISTING FACILITIES DOES OCCUR THE CONTRACTOR SHALL IMMEDIATELY CONTACT THE UTILITY'S OWNER.
- FILL DIRT HAS BEEN HAULED IN TO RAISE THIS SITE UP. TOPSOIL ON THIS SITE MAY HAVE BEEN BURIED IN THE PROCESS. IT IS RECOMMENDED THAT THE BUILDER PERFORM SOILS TESTING ON EACH LOT PRIOR TO HOME CONSTRUCTION.
- STRIP ALL VISIBLE TOPSOIL ON-SITE AND STOCKPILE FOR RESPREAD ON LAWN AREAS. LAWN AREAS THAT ARE DISTURBED DURING CONSTRUCTION MUST HAVE AT LEAST 4 INCHES OF TOPSOIL AT THE TIME OF FINAL STABILIZATION IF THERE WAS AT LEAST 4 INCHES OF TOPSOIL PRIOR TO DISTURBANCE. IF 4-INCHES OF TOPSOIL IS NOT AVAILABLE ON-SITE THE CONTRACTOR SHALL HAUL TOPSOIL IN OR AMEND THE SOIL WITH COMPOST AT A RATE OF 1 PERCENT EVERY 3" OF SOIL PER SDSAS SECTION 2010, 2.01.
- UNLESS GRADING FOR A DESIGNED SUMP OR LOW POINT AREA, GRADE ALL SITE AREAS TO DRAIN WITHOUT TRAPPING OR PONDING SURFACE WATER WHEN SITE GRADING IS COMPLETE.
- FINAL GRADE ELEVATIONS OF ALL PAVED AREAS SHALL BE WITHIN 0.10 FEET OF PLAN GRADE UNLESS STATED OTHERWISE IN THE WAUKEE STANDARD SPECIFICATIONS FOR PUBLIC IMPROVEMENTS. LAWN AREAS SHALL BE WITHIN 0.20-FOOT OF PLAN GRADE.
- SPOT ELEVATIONS ON PAVED SURFACES ARE TOP OF SLAB ELEVATIONS UNLESS NOTED OTHERWISE.
- CIVIL ENGINEERING CONSULTANTS, INC. IS NOT A GEOTECHNICAL ENGINEER.
- A GEOTECHNICAL REPORT FOR THIS PROJECT CAN BE OBTAINED BY CONTACTING THE OWNER.
- A MINIMUM OF ONE FOOT OF COMPACTED CLAY SOIL LINER SHALL BE PROVIDED IN THE POND BELOW THE PERMANENT POOL ELEVATION. POND SLOPES SHALL BE DISKED & COMPACTED PRIOR TO PLACEMENT OF LINER. AREAS ENCOUNTERING SAND SHALL BE OVEREXCAVATED A MINIMUM OF 2 FEET & UP TO 5 FEET. THESE AREAS SHOULD BE FILLED IN WITH COHESIVE ENGINEERED COMPACTED FILL. IF SEEPAGE IS ENCOUNTERED ABOVE PERMANENT POOL, AN INTERCEPTOR DRAIN MAY BE REQUIRED. THE NECESSITY FOR THE DRAIN SHALL BE DETERMINED BY THE GEOTECH DURING POND CONSTRUCTION. CONTACT GEOTECH # 515-486-3013 TO SCHEDULE OBSERVATION & TESTING.
- AN ASBUILT PLAN SET SHALL BE PROVIDED UPON COMPLETION OF SITE IMPROVEMENTS INCLUDING DIMENSIONS, ELEVATIONS AND SPOT ELEVATIONS FOR ALL OVERLAND FLOWAGE EASEMENTS AT EACH LOCATION WHERE THE EASEMENT CROSSES A PROPERTY LINE, INCLUDING STREET ROW'S.
- ALL DETENTION POND GRADING SHALL BE FIELD VERIFIED BY DESIGN ENGINEER AND ASBUILTS SHALL BE PROVIDED TO THE CITY WITH A LETTER OF CERTIFICATION FROM THE ENGINEER THAT THE POND WAS CONSTRUCTED TO DESIGN.
- THE CONTRACTOR SHALL CERTIFY ON THE ASBUILT PLAN THAT THE STORMWATER MANAGEMENT FACILITY WAS CONSTRUCTED TO ADDRESS ALL PROPERTIES WITHIN THE DEVELOPMENT.

MINIMUM OPENING ELEVATIONS

LOT 1	= 1024.55
LOT 2	= 1024.55
LOT 3	= 1024.55
LOT 4	= 1024.55
LOT 5	= 1024.55
LOT 6	= 1030.00
LOT 7	= 1021.00
LOT 8	= 1031.00
LOT 9	= 1031.00
LOT 10	= 1031.00
LOT 11	= 1031.50
LOT 12	= 1032.50

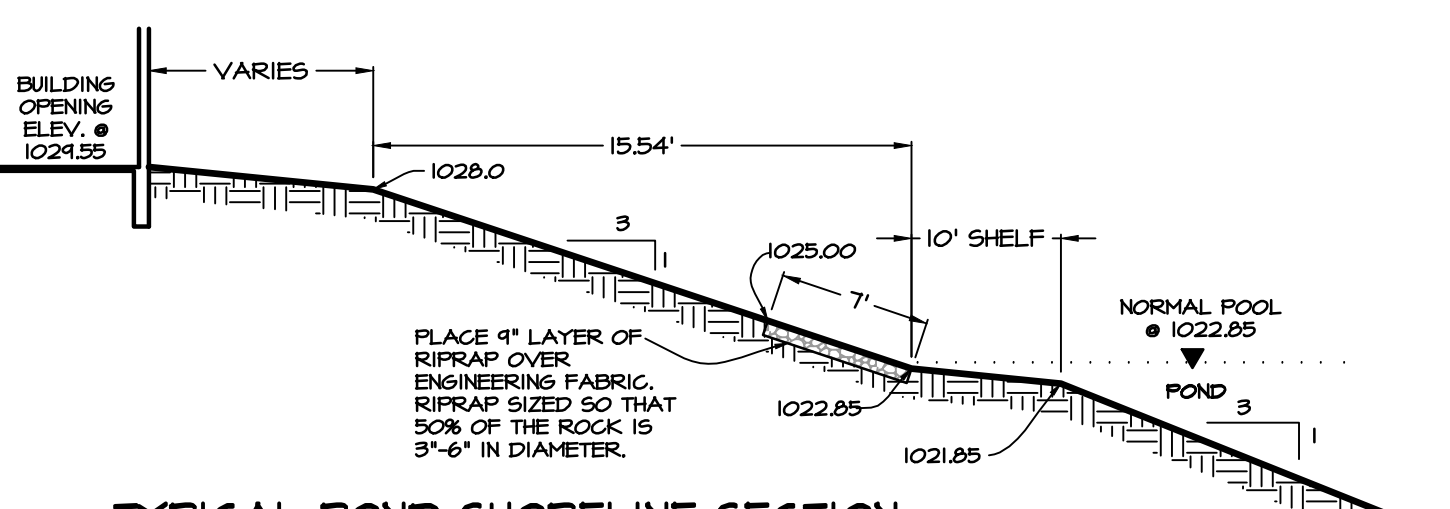


CONCRETE APRON DETAIL

NO SCALE

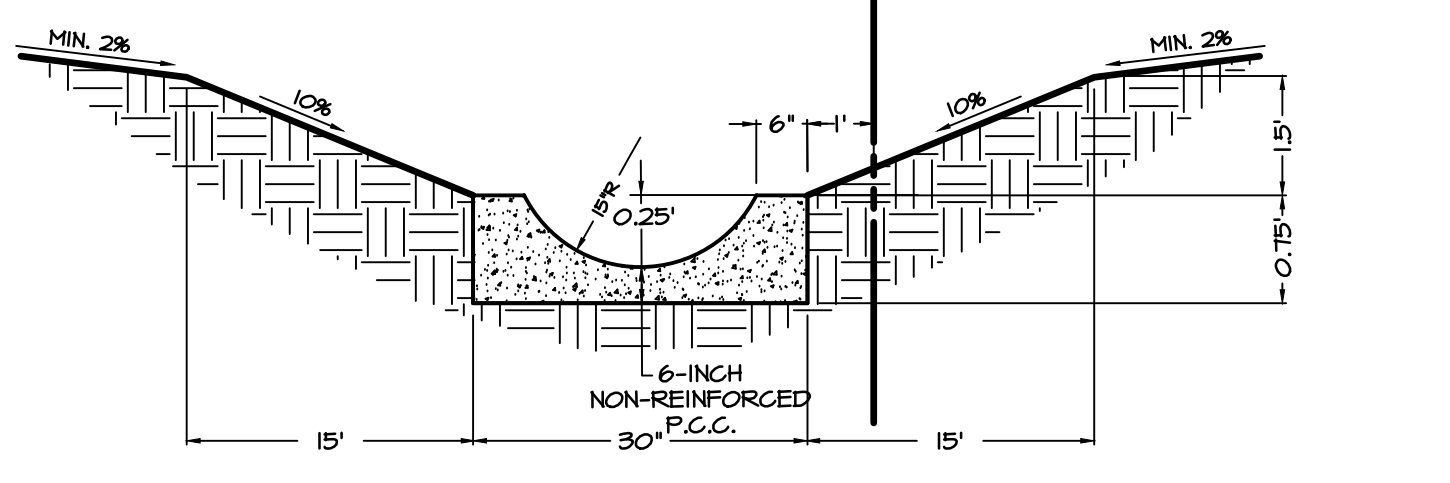
QUANTITIES

- 565 L.F. CONCRETE FLUME
- 1 EA. CONCRETE FLUME APRON
- 4 EA. INLET FILTER / FILTER SOCK
- 1,225 L.F. SILT FENCE
- AREA DISTURBED = 4.68 AC. REMOVE 80 L.F. OF EXISTING 4-FOOT CONCRETE FLUME ON LOT 5, PLAT 4.



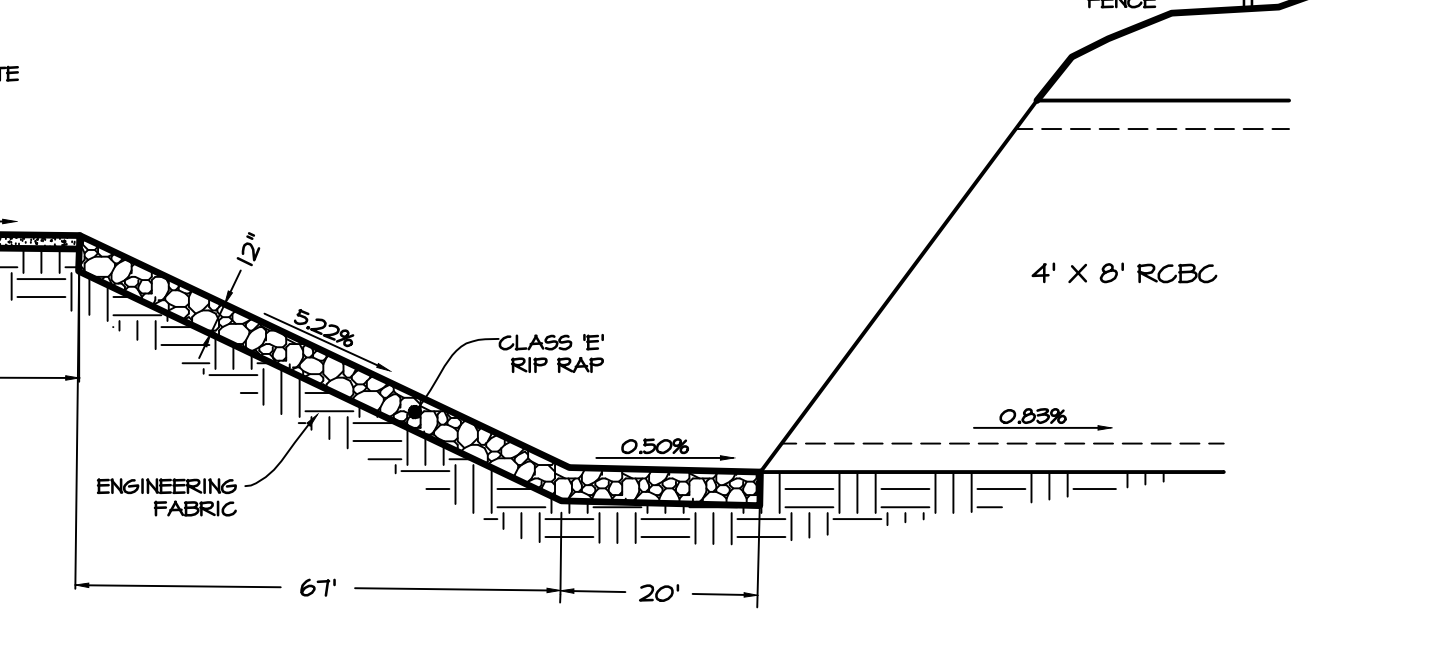
TYPICAL POND SHORELINE SECTION

NO SCALE
NOTE: ALTERNATIVE SHORELINE PROTECTION MATERIALS MAY BE USED IF DESIRED BY THE DEVELOPER. ANY ALTERNATE MATERIALS WILL NEED TO BE REVIEWED, DESIGNED, & APPROVED BY THE ENGINEER PRIOR TO PLACEMENT.



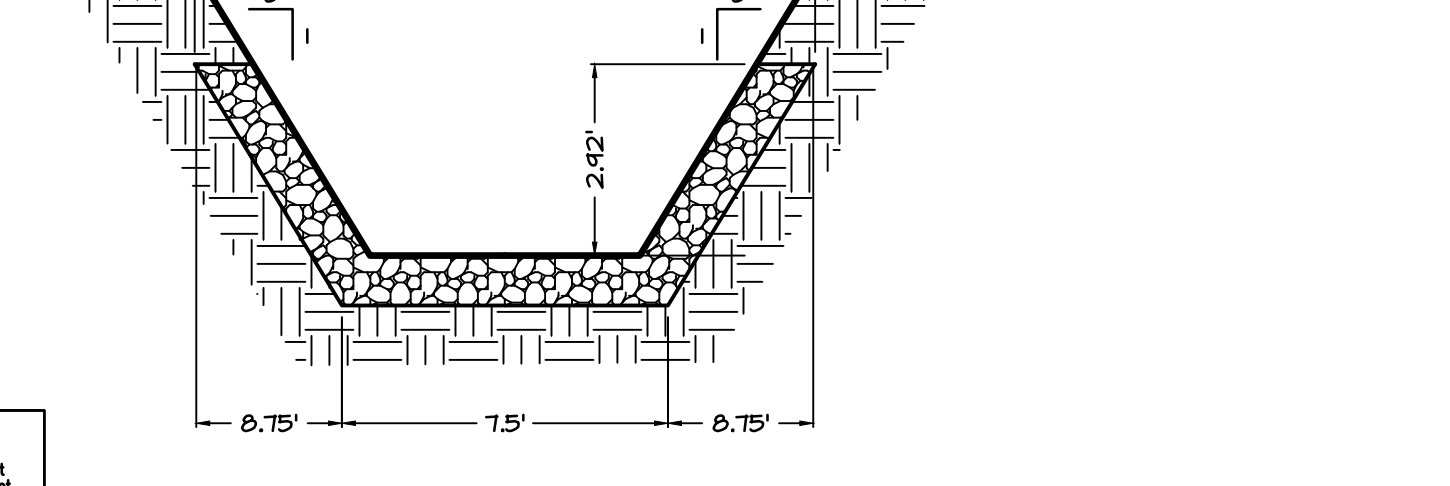
CONCRETE FLUME & SWALE DETAIL

NO SCALE



ROCK CHUTE DETAILS

NO SCALE



SEDIMENT TRAP DETAILS

NO SCALE
SEDIMENT TRAP #1
1.0 ACRE DRAINAGE AREA
3,900 CF OF STORAGE REQ'D
ELEV A = 1021.00
ELEV B = 1024.00
ELEV C = 1028.21
ELEV D = 1030.00
L = 2 FEET

LEGEND

EXISTING/PROPOSED

- PLAT BOUNDARY
- SAN- SANITARY SEWER & SIZE
- W- WATER MAIN & SIZE
- S- STORM SEWER & SIZE
- MANHOLE
- STORM INTAKE
- FIRE HYDRANT
- VALVE
- SILT FENCE
- ST SEDIMENT TRAP
- INLET FILTER / FILTER SOCK

GENERAL NOTES:
Provide required storage volume by construct sediment trap to elevations and dimensions shown in the construct drawings.
Remove accumulated sediment when level reached one-half the height of the wet storage.

Table 1 (Sediment length)

Drainage Area (Ac)	Trap Length (ft)
1.5	15
2.5	25
3.0	25
4.0	30
5.0	35
6.0	40
7.0	45

FIGURE: 9040.18
SEDIMENT TRAP

DATE: 06-11-2012
REVISION: 07-06-2012
REVISION: 07-18-2012
REVISION: 07-26-2012
REVISION: 08-22-2012
ASBUILT: JUNE 25, 2013

SHEET 4 OF 5

GRADING AND EROSION CONTROL NOTES

- ALL CONSTRUCTION (PUBLIC & PRIVATE) SHALL BE IN ACCORDANCE WITH THE IOWA STATE STANDARD SPECIFICATIONS FOR PUBLIC IMPROVEMENTS IN EFFECT AT THE TIME OF CONSTRUCTION. CURRENT SPECIFICATIONS ARE AVAILABLE ONLINE AT: WWW.IOWAENGINEERINGCONSULTANTS.COM
- CONTRACTOR SHALL ARRANGE FOR TESTING AND INSPECTION AND NOTIFY THE FOLLOWING AT LEAST ONE WEEK PRIOR TO BEGINNING CONSTRUCTION:
 - CITY OF WAUKEE
 - JERRY'S HOMES, INC.
 - CIVIL ENGINEERING CONSULTANTS, INC.
 - IOWA ONE-CALL
- THE LOCATION OF EXISTING FACILITIES AND APPURTENANCES SHOWN ON THIS PLAN ARE BASED ON AVAILABLE INFORMATION WITHOUT UNCOVERING AND MEASURING TO DETERMINE EXACT FACILITIES LOCATIONS. CIVIL ENGINEERING CONSULTANTS, INC. DOES NOT GUARANTEE THE LOCATION OF EXISTING FACILITIES AS SHOWN, OR THAT ALL EXISTING FACILITIES ARE SHOWN. IT IS THE CONTRACTOR'S RESPONSIBILITY TO CONTACT ALL PUBLIC AND PRIVATE UTILITY PROVIDERS SERVING THIS AREA, AND IOWA ONE-CALL, TO DETERMINE THE EXTENT AND PRECISE LOCATION OF EXISTING FACILITIES BEFORE CONSTRUCTION BEGINS.
- THE CONTRACTOR SHALL PROTECT EXISTING ON-SITE FACILITIES FROM DAMAGE RESULTING FROM THE CONTRACTOR'S WORK, IF DAMAGE, BREAKAGE, INTERRUPTION OF SERVICE, ETC. OF EXISTING FACILITIES DOES OCCUR THE CONTRACTOR SHALL IMMEDIATELY CONTACT THE UTILITY'S OWNER.
- FILL DIRT HAS BEEN HAULED IN TO RAISE THIS SITE UP. TOPSOIL ON THIS SITE MAY HAVE BEEN BURIED IN THE PROCESS. IT IS RECOMMENDED THAT THE BUILDER PERFORM SOILS TESTING ON EACH LOT PRIOR TO HOME CONSTRUCTION.
- STRIP ALL VISIBLE TOPSOIL ON-SITE AND STOCKPILE FOR RESPREAD ON LAWN AREAS. LAWN AREAS THAT ARE DISTURBED DURING CONSTRUCTION MUST HAVE AT LEAST 4 INCHES OF TOPSOIL AT THE TIME OF FINAL STABILIZATION IF THERE WAS AT LEAST 4 INCHES OF TOPSOIL PRIOR TO DISTURBANCE. IF 4-INCHES OF TOPSOIL IS NOT AVAILABLE ON SITE THE CONTRACTOR SHALL HAIL TOPSOIL OR AMEND THE SOIL WITH COMPOST AT A RATE OF 1 PER EVERY 3" OF SOIL PER SUDAS SECTION 2010, 2.01.
- UNLESS GRADING FOR A DESIGNED SUMP OR LOW POINT AREA, GRADE ALL SITE AREAS TO DRAIN WITHOUT TRAPPING OR PONDING SURFACE WATER WHEN SITE GRADING IS COMPLETE.
- FINAL GRADE ELEVATIONS OF ALL PAVED AREAS SHALL BE WITHIN 0.10 FEET OF PLAN GRADE UNLESS STATED OTHERWISE IN THE IOWA STANDARD SPECIFICATIONS FOR PUBLIC IMPROVEMENTS. LAWN AREAS SHALL BE WITHIN 0.20-FEET OF PLAN GRADE.
- SPOT ELEVATIONS ON PAVED SURFACES ARE TOP OF SLAB ELEVATIONS UNLESS NOTED OTHERWISE.
- CIVIL ENGINEERING CONSULTANTS, INC. IS NOT A GEOTECHNICAL ENGINEER.
- A GEOTECHNICAL REPORT FOR THIS PROJECT CAN BE OBTAINED BY CONTACTING THE OWNER.
- A MINIMUM OF ONE FOOT OF COMPACTED CLAY SOIL LINER SHALL BE PROVIDED IN THE POND BELOW THE PERMANENT POOL ELEVATION. POND SLOPES SHALL BE DISKED & COMPACTED PRIOR TO PLACEMENT OF LINER. AREAS ENCOUNTERING SAND SHALL BE OVEREXCAVATED A MINIMUM OF 2 FEET & UP TO 5 FEET. THESE AREAS SHOULD BE FILLED IN WITH COHESIVE ENGINEERED COMPACTED FILL. IF SEEPAGE IS ENCOUNTERED ABOVE PERMANENT POOL, AN INTERCEPTOR DRAIN MAY BE REQUIRED. THE NECESSITY FOR THE DRAIN SHALL BE DETERMINED BY THE GEOTECH DURING POND CONSTRUCTION. CONTACT GEOTECH @ 515-494-3013 TO SCHEDULE OBSERVATION & TESTING.
- AN ASBUILT PLAN SET SHALL BE PROVIDED UPON COMPLETION OF SITE IMPROVEMENTS INCLUDING DIMENSIONS, ELEVATIONS AND SPOT ELEVATIONS FOR ALL OVERLAND FLOWAGE EASEMENTS AT EACH LOCATION WHERE THE EASEMENT CROSSES A PROPERTY LINE, INCLUDING STREET ROWS.
- ALL DETENTION POND GRADINGS SHALL BE FIELD VERIFIED BY DESIGN ENGINEER AND ASBUILTS SHALL BE PROVIDED TO THE CITY WITH A LETTER OF CERTIFICATION FROM THE ENGINEER THAT THE POND WAS CONSTRUCTED TO DESIGN.
- THE CONTRACTOR SHALL CERTIFY ON THE ASBUILT PLAN THAT THE STORMWATER MANAGEMENT FACILITY WAS CONSTRUCTED TO ADDRESS ALL PROPERTIES WITHIN THE DEVELOPMENT.

STORM WATER POLLUTION PREVENTION PLAN

1. SITE DESCRIPTION/APPLICANT/SCHEDULE

- OWNER/APPLICANT: JERRY'S HOMES, INC., 10430 NEW YORK AVE, URBANDALE, IOWA 50322, (515-278-5942)
- LOCATION: PART OF SECTION 4, T18N, R26W, WAUKEE
- NATURE OF CONSTRUCTION ACTIVITY: GRADING FOR AND CONSTRUCTION OF A SINGLE-FAMILY DEVELOPMENT
- AREAS: TOTAL SITE AREA = 3.80 ACRES
- SITE AREA AFFECTED = 4.68 ACRES
- RUNOFF COEFFICIENT = 0.35 (RATIONAL METHOD)
- APPROXIMATE SLOPES (ANTICIPATED): 3:1 OR FLATTER. RUNOFF FROM THIS PROJECT WILL FLOW INTO UNNAMED DITCHES WHICH WILL FLOW INTO SUGAR CREEK.
- SOILS: CLARION LOAM (2-5% SLOPES) GENTLY SLOPING, WELL DRAINED, LOAMY SOILS.
- ESTIMATED DATE WORK IS TO COMMENCE: SUMMER 2012
- ESTIMATED DATE WORK IS TO BE COMPLETED: FALL 2012

2. CONTROLS

- EROSION AND SEDIMENT CONTROLS
- STABILIZATION PRACTICES
- EXISTING VEGETATION IS PRESERVED WHENEVER POSSIBLE.
- PERMANENT SEEDING AND/OR SODDING AFTER CONSTRUCTION.
- VEGETATIVE BUFFER STRIPS THROUGHOUT PROJECT.
- PROTECTION OF TREES AND PRESERVATION OF MATURE VEGETATION WHEREVER POSSIBLE.
- STRUCTURAL PRACTICES
- ROCK OUTLET PROTECTION
- SILT FENCES
- DRAINAGE SHALES
- STORM WATER MANAGEMENT
- FLOW ATTENUATION BY USE OF OPEN VEGETATED SHALES AND NATURAL DEPRESSIONS.
- INFILTRATION OF RUNOFF ON SITE
- VELOCITY DISIPRATION DEVICES AT DISCHARGE LOCATIONS TO PROVIDE NON-EROSIVE VELOCITY FLOWS.
- WASTE DISPOSAL
- ALL MATERIAL WASTES MUST BE REMOVED FROM THE SITE.
- OFF-SITE VEHICLE TRACKING OF SEDIMENTS SHALL BE MINIMIZED.
- STABILIZE THE ENTRANCE WITH 8-INCHES OF LIMESTONE.
- TOTAL COMPLIANCE WITH APPLICABLE STATE/LOCAL WASTE DISPOSAL REGULATIONS.
- CONTROLS MUST BE IN GOOD OPERATING CONDITION UNTIL THE CONSTRUCTION ACTIVITY IS COMPLETE AND FINAL STABILIZATION HAS BEEN REACHED.

3. CONTRACTORS

THE GRADING CONTRACTOR SHALL HAVE THE PRIMARY RESPONSIBILITY OF IMPLEMENTING THE MEASURES CONTAINED IN THIS PLAN.

- ALL CONTRACTORS AND SUBCONTRACTORS SHALL SIGN A CERTIFICATION STATEMENT BEFORE CONDUCTING ANY PROFESSIONAL SERVICE AT THE SITE RELATING TO THE NATIONAL POLLUTANT DISCHARGE ELIMINATION SYSTEM (NPDES) PERMIT. SEE CERTIFICATION THIS SHEET.
- PERSONS ACCOMPLISHING WORK UNDER THIS PERMIT:

NAME: _____
 ADDRESS: _____
 PHONE: _____

NAME: _____
 ADDRESS: _____
 PHONE: _____

NAME: _____
 ADDRESS: _____
 PHONE: _____

NAME: _____
 ADDRESS: _____
 PHONE: _____

4. IMPLEMENTATION / MAINTENANCE

- MAINTAIN EFFECTIVE OPERATING CONDITIONS OF ALL PROTECTIVE MEASURES IDENTIFIED IN THIS PLAN.
- PRIOR TO INITIAL GRADING, INSTALL PERIMETER SILT FENCE TO PROTECT UNDISTURBED AREAS.
- PRIOR TO MASS GRADING, CONSTRUCT DIVERSION DRAINAGE SHALES ON THE UPHILL SIDES OF THE DISTURBED AREA TO DIVERT UPHILL RUNOFF FROM EXPOSED SOILS.
- DO NOT DISTURB AN AREA UNTIL IT IS NECESSARY FOR CONSTRUCTION TO PROCEED.
- AFTER INITIAL GRADING PRIOR TO UTILITY CONSTRUCTION, ALL DISTURBED AREAS OUTSIDE THE PROPOSED RIGHT-OF-WAYS ARE TO HAVE TEMPORARY SEEDING AND MULCHING. CONTRACTORS AND SUBS ARE TO MINIMIZE DISTURBANCE TO THESE SEEDED AREAS THROUGH THE USE OF SPECIFIC ACCESS ROUTES WITHIN THE SITE.
- TEMPORARY EARTH FILLS SHALL HAVE DOWNSLOPE SILT FENCE PROTECTION.
- ALL INTAKES AND MANHOLES TO HAVE SILT FENCE AROUND THEM PRIOR TO PAVING AND INLET FILTERS AFTER PAVING. THESE FILTERS SHALL REMAIN IN PLACE UNTIL THE SITE HAS A PERENNIAL GROUND COVER.
- ALL INTAKES SHALL BE COVERED DURING CONSTRUCTION TO PREVENT SEDIMENTATION DEPOSITS WITHIN THE STORM SEWER UNTIL THE SITE HAS A PERENNIAL GROUND COVER. THE COVER SHALL BE CLEANED AFTER EVERY RAIN.
- ANY SOIL OR SPILL WASHED, TRACKED OR DROPPED ON TO ADJOINING RIGHT-OF-WAYS AND PROPERTY SHALL BE CLEANED UP BY THE CONTRACTOR BY THE END OF THE WORK DAY OR PRIOR TO ANY RAIN EVENT. EARTH RAMPS SHALL NOT BE CONSTRUCTED IN THE STREET GUTTER.
- MATERIAL OR EQUIPMENT STORAGE AREAS MUST BE WITHIN THE LIMITS OF SOIL DISTURBING ACTIVITY. THESE AREAS SHALL BE INSPECTED FOR POTENTIAL POLLUTANTS ENTERING THE SYSTEM.
- THE TEMPORARY SEDIMENTATION BASIN SHALL BE INSPECTED AND MAINTAINED UNTIL SUCH TIME AS ALL THE SITE IS STABILIZED. AT THAT TIME THE BASIN CAN BE CONVERTED TO A STORM WATER DETENTION FACILITY.
- DURING CONSTRUCTION IF IT BECOMES EVIDENT THAT A DISTURBED AREA WILL NOT BE DISTURBED FOR 21 DAYS, IT SHALL BE SEED BY DAY 1.
- PERMANENT SEEDING AND MULCHING TO BE DONE IMMEDIATELY AFTER FINAL GRADINGS.
- ANY FAILED AREA OF SEEDING SHALL BE RESEED - IN THE EVENT THAT SEEDING/MULCHING DOES NOT OCCUR PRIOR TO WINTER, ALL DISTURBED AREAS SHALL BE MULCHED.
- SILT FENCING SHALL BE CLEANED WHEN THEY HAVE LOST 50% OF THEIR CAPACITY.
- DRAINAGE SHALES REMAIN UNDISTURBED.
- ROCK OUTLET PROTECTION SHALL REMAIN INTACT.
- PERMANENT FINAL PLANT COVERING OR STRUCTURES SHALL BE INSTALLED AS SOON AS POSSIBLE BUT NOT LONGER THAN SEVEN (7) DAYS AFTER FINAL GRADING IS COMPLETED. REPLANTING MAY BE REQUIRED TO ENSURE ADEQUATE VEGETATIVE COVER IS ESTABLISHED. ADEQUATE VEGETATIVE COVER IS CONSIDERED TO BE AT LEAST 10% COVERAGE OF THE SOIL SURFACE BY THE INTENDED SPECIES. IF NATIVE LANDSCAPE IS USED, THEN 10% COVERAGE BY THE COVER CROP IS REQUIRED.
- SOIL SHALL BE WATERED DURING DRY, WINDY CONDITIONS TO MINIMIZE EROSION.
- WORK REQUIRING ENTERING AND LEAVING THE SITE OVER COUNTY ROADWAYS INCLUDING MATERIAL DELIVERY AND MOVEMENT OF EQUIPMENT SHALL NOT BE PERMITTED DURING PERIODS WHEN THE GROUND IS EXCEPTIONALLY SOFT AND WET AND EROSION BY VEHICLE IS A CERTAINTY.
- SOIL STOCKPILES SHALL BE STABILIZED WITH VEGETATION OR COVERED. MOWING MAY BE REQUIRED IF THE VEGETATION BECOMES A NUISANCE.

5. INSPECTIONS

- QUALIFIED PERSONNEL SHALL INSPECT DISTURBED AREAS OF THE CONSTRUCTION SITE THAT HAVE NOT BEEN FINALLY STABILIZED AT LEAST ONCE EVERY SEVEN CALENDAR DAYS AND WITHIN 24 HOURS OF THE END OF A STORM THAT IS 0.2 INCHES OR GREATER.
- INSPECT SITE FOR EVIDENCE OF, OR THE POTENTIAL OF, POLLUTANTS ENTERING THE DRAINAGE SYSTEM FROM STORED MATERIALS.
- OBSERVE EROSION AND SEDIMENT CONTROL MEASURES TO ENSURE THAT THEY ARE OPERATING CORRECTLY, REPAIR AND REPLACE AS NECESSARY.
- LOCATIONS WHERE VEHICLES ENTER OR EXIT THE SITE SHALL BE INSPECTED FOR EVIDENCE OF OFF-SITE SEDIMENT TRACKING.
- INSPECT DISCHARGE LOCATIONS TO ASCERTAIN WHETHER EROSION CONTROL MEASURES ARE EFFECTIVE IN PREVENTING SIGNIFICANT IMPACTS TO RECEIVING WATERS.
- ANY MODIFICATIONS TO THE PLAN AS A RESULT OF AN INSPECTION SHALL BE IMPLEMENTED WITHIN 7 CALENDAR DAYS OF THE INSPECTION.
- AN INSPECTION REPORT SHALL BE PREPARED AND RETAINED AS PART OF THE PREVENTION PLAN UNTIL PROJECT TERMINATION. THIS REPORT WILL CONTAIN THE FOLLOWING:
 - A SUMMARY OF THE SCOPE OF THE INSPECTION.
 - QUALIFICATIONS OF THE PERSONNEL MAKING THE INSPECTION.
 - MAJOR OBSERVATIONS RELATING TO THE IMPLEMENTATION OF THE PREVENTION PLAN.
 - ANY ACTIONS TAKEN.
- THE REPORTS SHALL CONFORM TO THE STANDARDS SET BY THE IOWA DNR. COPIES OF THESE REPORTS SHALL BE FORWARDED TO THE OWNER.
- THE CONTRACTOR IS TO TAKE NECESSARY ACTIONS TO CORRECT DEFICIENCIES FOUND DURING INSPECTIONS AS SOON AS PRACTICABLE BUT IN NO CASE LATER THAN SEVEN (7) DAYS AFTER THE INSPECTION.

6. NON-STORM WATER DISCHARGES

- WATER MAIN FLUSHING - FLUSHED WATER WILL BE DISCHARGED INTO THE STORM SEWER SYSTEM WHERE, WHEN DISCHARGED, IT WILL UNDERGO EROSION AND SEDIMENT CONTROLS CONSISTING OF: SILTATION BASIN, ROCK OUTLET PROTECTION (RIPRAP), SILT FENCING, EXISTING VEGETATION.
- PETROLEUM STORAGE INCLUDING BUT NOT LIMITED TO FUEL, GEAR OIL, ENGINE OIL, HYDRAULIC OIL, WASTE OIL SHALL NOT BE STORED ON SITE.
- CONCRETE WASHOUT AREAS SHALL CONFORM TO THE EPA'S LIST OF BMP REQUIREMENTS.
- PORTABLE TOILETS SHALL HAVE DOWNSLOPE SILT FENCE PROTECTION.

THE LOCATIONS AND DIMENSIONS SHOWN ON THE PLANS FOR EXISTING UTILITIES ARE IN ACCORDANCE WITH AVAILABLE INFORMATION WITHOUT UNCOVERING AND MEASURING. THE ENGINEER DOES NOT GUARANTEE THE ACCURACY OF THIS INFORMATION OR THAT ALL EXISTING UNDERGROUND FACILITIES ARE SHOWN. IT IS THE RESPONSIBILITY OF THE CONTRACTOR TO CONTACT ALL PUBLIC AND/OR PRIVATE UTILITIES SERVING THE AREA TO DETERMINE THE PRESENT EXTENT AND EXACT LOCATION OF THEIR FACILITIES BEFORE BEGINNING WORK.

THE CONTRACTOR IS REQUIRED TO TAKE DUE PRECAUTIONARY MEASURES TO PROTECT THE UTILITIES OR STRUCTURES AT THE SITE. IT SHALL BE THE CONTRACTOR'S RESPONSIBILITY TO NOTIFY THE OWNERS OF UTILITIES OR STRUCTURES CONCERNED BEFORE STARTING WORK. THE CONTRACTOR SHALL NOTIFY THE PROPER UTILITY IMMEDIATELY UPON BREAKING OR DAMAGE TO ANY UTILITY LINE OF APPURTENANCE, OR THE INTERRUPTION OF THEIR SERVICE. HE SHALL NOTIFY THE PROPER UTILITY INVOLVED. IF EXISTING UTILITY LINES ARE ENCOUNTERED THAT CONFLICT IN LOCATION WITH NEW CONSTRUCTION, THE CONTRACTOR SHALL NOTIFY THE ENGINEER SO THAT THE CONFLICT MAY BE RESOLVED.

STRIP TOPSOIL FROM ALL AREAS WHICH ARE TO RECEIVE STRUCTURAL FILL.

AREAS TO RECEIVE FILL TO BE BENCHED.

PREPARE BOTTOM OF BENCH FOR FILL BY DISCS TO A DEPTH OF 6-INCHES AND COMPACT. ANY LOCALIZED AREAS WHICH CANNOT BE SATISFACTORILY COMPACTED OR WHICH SHOW EVIDENCE OF PUMPING ACTION SHALL BE UNDERCUT AND RECOMPACTED WITH ON-SITE FILL.

ALL SITE GRADING FILL SHALL BE COMPACTED TO A DENSITY THAT IS NOT LESS THAN 95% STANDARD PROCTOR.

ALL AREAS WHICH ARE TO RECEIVE PAVING SHALL HAVE THE TOP 12-INCHES DISCD AND RECOMPACTED TO 95% STANDARD PROCTOR DENSITY.

THE MOISTURE CONTENT OF THE FILL MATERIAL SHALL MATCH IOWA STATEWIDE URBAN STANDARD SPECIFICATIONS FOR PUBLIC IMPROVEMENTS BETWEEN 0% AND 4% OVER OPTIMUM MOISTURE.

MAINTAIN ALL CUT AND FILL AREAS FOR SURFACE DRAINAGE AT ALL TIMES.

FINAL GRADES WITHIN PAVED AREAS SHALL BE WITHIN 0.1' OF PLAN GRADE, ALL OTHER AREAS TO BE WITHIN 0.2' OF PLAN GRADE.

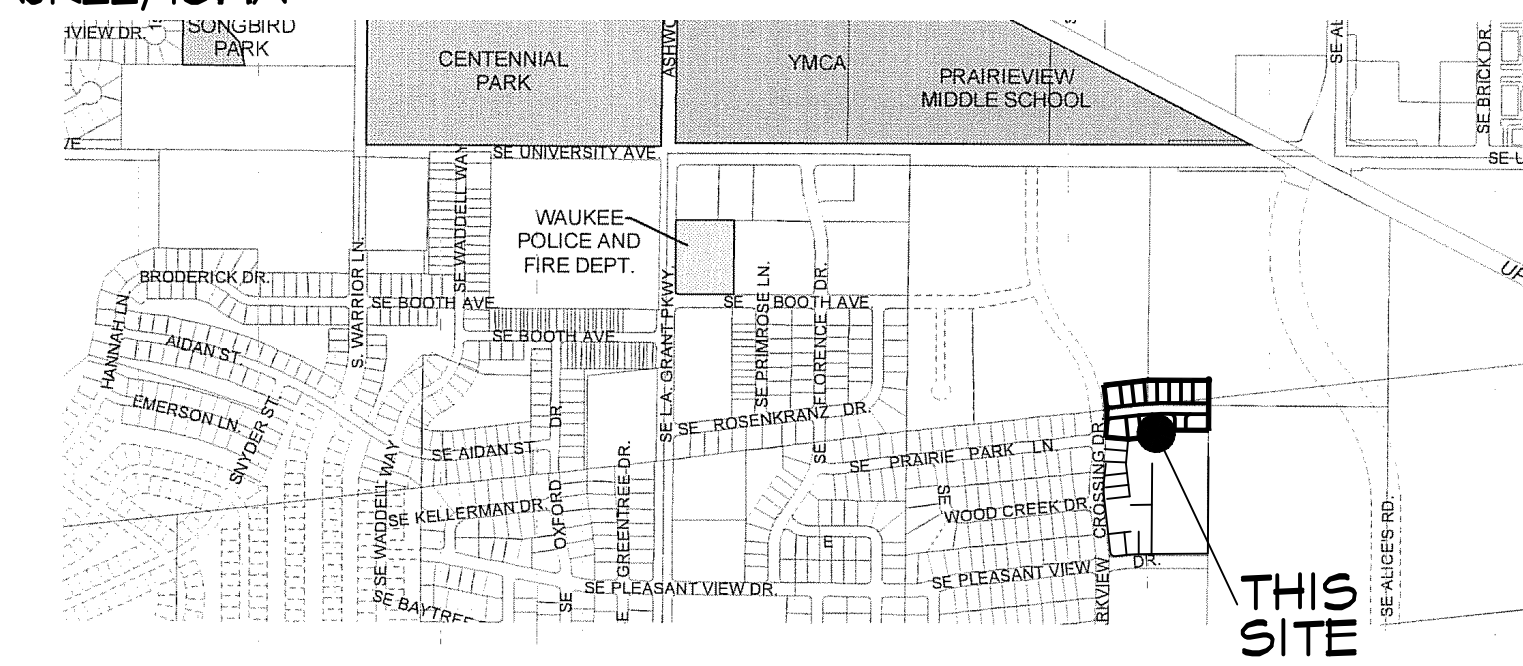
TOPSOIL SHALL BE RESPREAD TO A MINIMUM THICKNESS OF 4-INCHES ON ALL DISTURBED UNPAVED AREAS.

BACKFILL TO TOP OF ALL ROCK SURFACES.

ADDITIONAL SILT FENCING MAY BE REQUIRED AFTER ANY FIELD INSPECTION.

THIS PLAT IS SUBJECT TO THE POST CONSTRUCTION MAINTENANCE DOCUMENT RECORDED AS PART OF PLAT 8. (RECORDED IN BK 2010, PG 16302 OF THE DALLAS COUNTY RECORDER)

STORMWATER POLLUTION PREVENTION PLAN
PARKVIEW CROSSING PLAT 10
 AN ADDENDUM TO PARKVIEW CROSSING PLAT 8 & 9.
 WAUKEE, IOWA



VICINITY SKETCH NO SCALE

CONSTRUCTION SCHEDULE

01/01/2012 - 01/12/2012	GRADING
01/12/2012 - 10/30/2012	SEEDING/MULCHING/SILT FENCING
01/12/2012 - 08/12/2012	UTILITY CONSTRUCTION
08/12/2012 - 09/18/2012	PAVING
09/18/2012 - 08/24/2012	FINAL GRADINGS / SEEDING/ MULCHING/SILT FENCING/POND RIP RAP
08/24/2012 - 04/24/2012	

BENCHMARK

CITY OF WAUKEE BENCHMARK LOCATED ON THE BURY BOLT OF THE WATER HYDRANT LOCATED ON THE NW CORNER OF LOT 26, PARKVIEW CROSSING PLAT 9. ELEVATION: 1025.46

SEQUENCE OF MAJOR ACTIVITIES

- PRE-CONSTRUCTION:** SILT FENCE WILL BE PLACED BY THE CONTRACTOR PRIOR TO BEGINNING GRADING OR CLEARING AND GRUBBING OPERATIONS. PLACE ALONG THE PERIMETER OF THE PROJECT AT LOCATIONS IN WHICH RUNOFF CAN MOVE OFFSITE & ALONG THE EAST PROPERTY LINE TO PREVENT AGRICULTURAL RUN OFF FROM ENTERING THE SITE. VEGETATION IN AREAS NOT NEEDED FOR CONSTRUCTION SHALL BE PRESERVED. SILT FENCE SHALL REMAIN IN PLACE UNTIL FINAL STABILIZATION HAS BEEN ACHIEVED. THE TEMPORARY SEDIMENTATION TRAPS ARE TO BE INSTALLED PRIOR TO BEGINNING GRADING OPERATIONS.
- GRADING:** AFTER GRADING OPERATIONS HAVE BEEN COMPLETED, ALL AREAS THAT WILL NOT BE DISTURBED BY SUBSEQUENT CONSTRUCTION ACTIVITIES SHALL BE SEEDDED.
- FINISH GRADING AND SEEDING:** FINISH GRADING SHALL BE COMPLETED AS SOON AS IT IS PRACTICAL. SEEDING SHALL BE COMPLETED WITHIN 7 DAYS OF FINISHED GRADING. SEDIMENT TRAPS CAN BE REMOVED & THE CONCRETE FLUMES CAN BE INSTALLED.
- FINAL STABILIZATION:** FINAL STABILIZATION SHALL COMPLY WITH THE SWPPP PLAN.

CONTRACTOR CERTIFICATION

I CERTIFY UNDER PENALTY OF LAW THAT I UNDERSTAND THE TERMS AND CONDITIONS OF THE GENERAL NATIONAL POLLUTANT DISCHARGE ELIMINATION SYSTEM (NPDES) PERMIT THAT AUTHORIZES THE STORM WATER DISCHARGES ASSOCIATED WITH INDUSTRIAL ACTIVITY FROM THE CONSTRUCTION SITE AS PART OF THIS CERTIFICATION. FURTHER, BY MY SIGNATURE, I UNDERSTAND THAT I AM BECOMING A CO-PERMITTEE, ALONG WITH THE OWNER(S) AND OTHER CONTRACTORS AND SUBCONTRACTORS SIGNING SUCH CERTIFICATIONS, TO THE IOWA DEPARTMENT OF NATURAL RESOURCES NPDES GENERAL PERMIT NO. 2 FOR "STORM WATER DISCHARGE ASSOCIATED WITH INDUSTRIAL ACTIVITY FOR CONSTRUCTION ACTIVITIES" AT THE IDENTIFIED SITE. AS A CO-PERMITTEE, I UNDERSTAND THAT I AND MY COMPANY ARE LEGALLY REQUIRED UNDER THE CLEAN WATER ACT AND THE CODE OF IOWA TO ENSURE COMPLIANCE WITH THE TERMS AND CONDITIONS OF THE STORM WATER POLLUTION PREVENTION PLAN DEVELOPED UNDER THIS NPDES PERMIT AND THE TERMS OF THIS NPDES PERMIT.

GENERAL CONTRACTOR

NAME / TITLE: _____
 COMPANY: _____ DATE: _____
 TELEPHONE NUMBER: _____

SUBCONTRACTOR

NAME / TITLE: _____
 COMPANY: _____ DATE: _____
 TELEPHONE NUMBER: _____

SUBCONTRACTOR

NAME / TITLE: _____
 COMPANY: _____ DATE: _____
 TELEPHONE NUMBER: _____

OTHER

NAME / TITLE: _____
 COMPANY: _____ DATE: _____
 TELEPHONE NUMBER: _____

OWNER'S CERTIFICATION

"I CERTIFY UNDER PENALTY OF LAW THAT I UNDERSTAND THE TERMS AND CONDITIONS OF THE GENERAL NATIONAL POLLUTANT DISCHARGE ELIMINATION SYSTEM (NPDES) PERMIT THAT AUTHORIZES THE STORM WATER DISCHARGES ASSOCIATED WITH INDUSTRIAL ACTIVITY FROM THE CONSTRUCTION SITE AS PART OF THIS CERTIFICATION. FURTHER, BY MY SIGNATURE, I UNDERSTAND THAT I AM BECOMING A CO-PERMITTEE, ALONG WITH THE CONTRACTOR AND SUBCONTRACTORS SIGNING SUCH CERTIFICATIONS, TO THE IOWA DEPARTMENT OF NATURAL RESOURCES NPDES GENERAL PERMIT NO. 2 FOR "STORM WATER DISCHARGE ASSOCIATED WITH INDUSTRIAL ACTIVITY FOR CONSTRUCTION ACTIVITIES" AT THE IDENTIFIED SITE. AS A CO-PERMITTEE, I UNDERSTAND THAT I, AND MY ORGANIZATION, ARE LEGALLY REQUIRED UNDER THE CLEAN WATER ACT AND THE CODE OF IOWA TO ENSURE COMPLIANCE WITH THE TERMS AND CONDITIONS OF THE STORM WATER POLLUTION PREVENTION PLAN DEVELOPED UNDER THIS NPDES PERMIT AND THE TERMS OF THIS NPDES PERMIT."

I CERTIFY UNDER PENALTY OF LAW THAT THIS DOCUMENT AND ALL ATTACHMENTS WERE PREPARED UNDER MY DIRECTION OR SUPERVISION IN ACCORDANCE WITH A SYSTEM DESIGNED TO ASSURE THAT QUALIFIED PERSONNEL PROPERLY GATHERED AND EVALUATED THE INFORMATION SUBMITTED, BASED ON MY INQUIRY OF THE PERSON OR PERSONS WHO MANAGE THE SYSTEM, OR THOSE PERSONS DIRECTLY RESPONSIBLE FOR GATHERING THE INFORMATION, THE INFORMATION SUBMITTED IS, TO THE BEST OF MY KNOWLEDGE AND BELIEF, TRUE, ACCURATE, AND COMPLETE. I AM AWARE THAT THERE ARE SIGNIFICANT PENALTIES FOR SUBMITTING FALSE INFORMATION, INCLUDING THE POSSIBILITY OF FINE AND IMPRISONMENT FOR KNOWING VIOLATIONS."

NAME / TITLE: _____
 COMPANY: _____ DATE: _____
 TELEPHONE NUMBER: _____

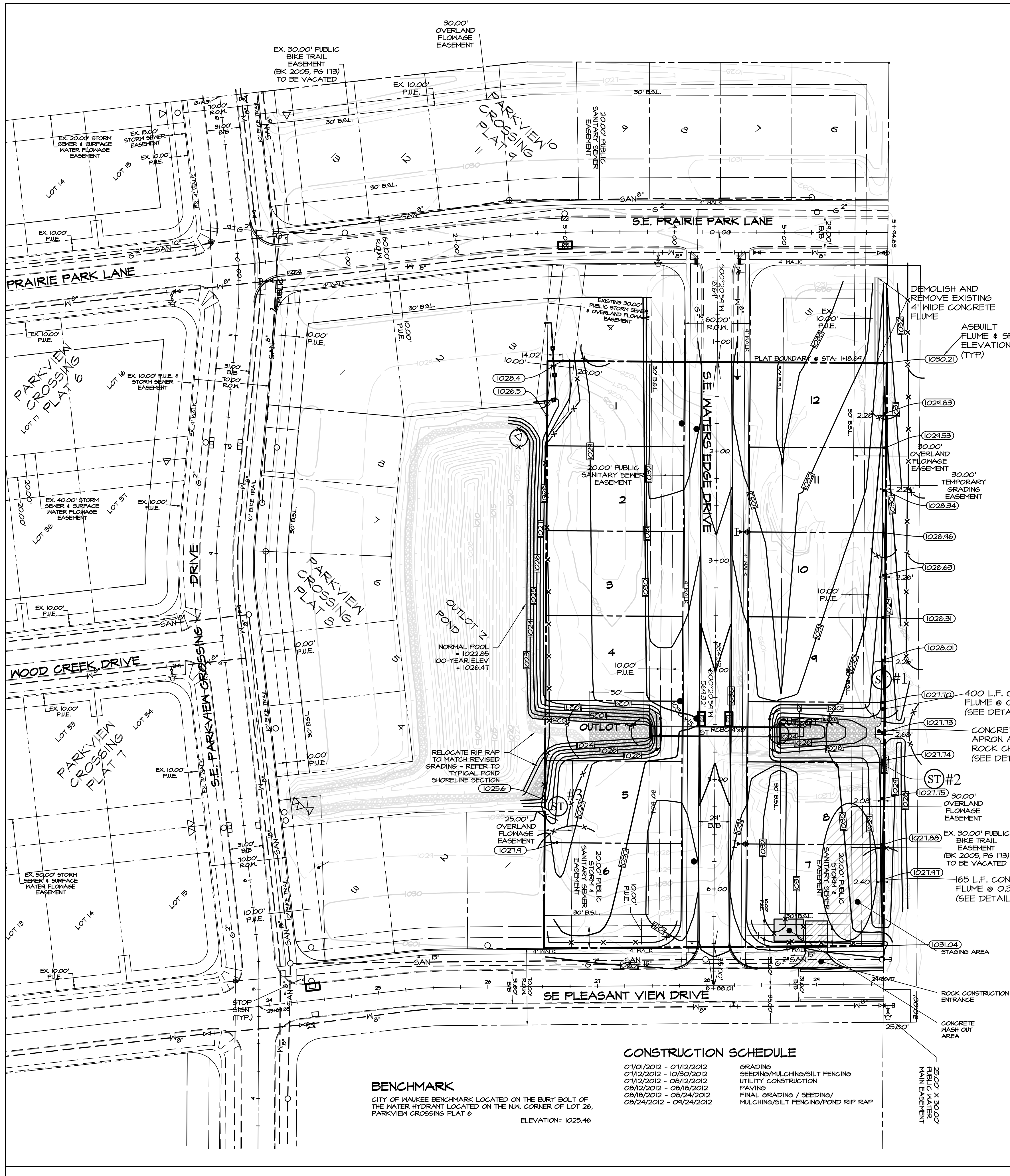
LEGEND

- EXISTING/PROPOSED
- PLAT BOUNDARY
- SANITARY SEWER # & SIZE
- WATER MAIN # & SIZE
- STORM SEWER # & SIZE
- MANHOLE
- STORM INTAKE
- FIRE HYDRANT
- VALVE
- SILT FENCE



DATE: 06-11-2012
 REVISION: 07-06-2012
 REVISION: 07-19-2012
 REVISION: 08-06-2012
 REVISION: 08-22-2012

SHEET
 1
OF
 2

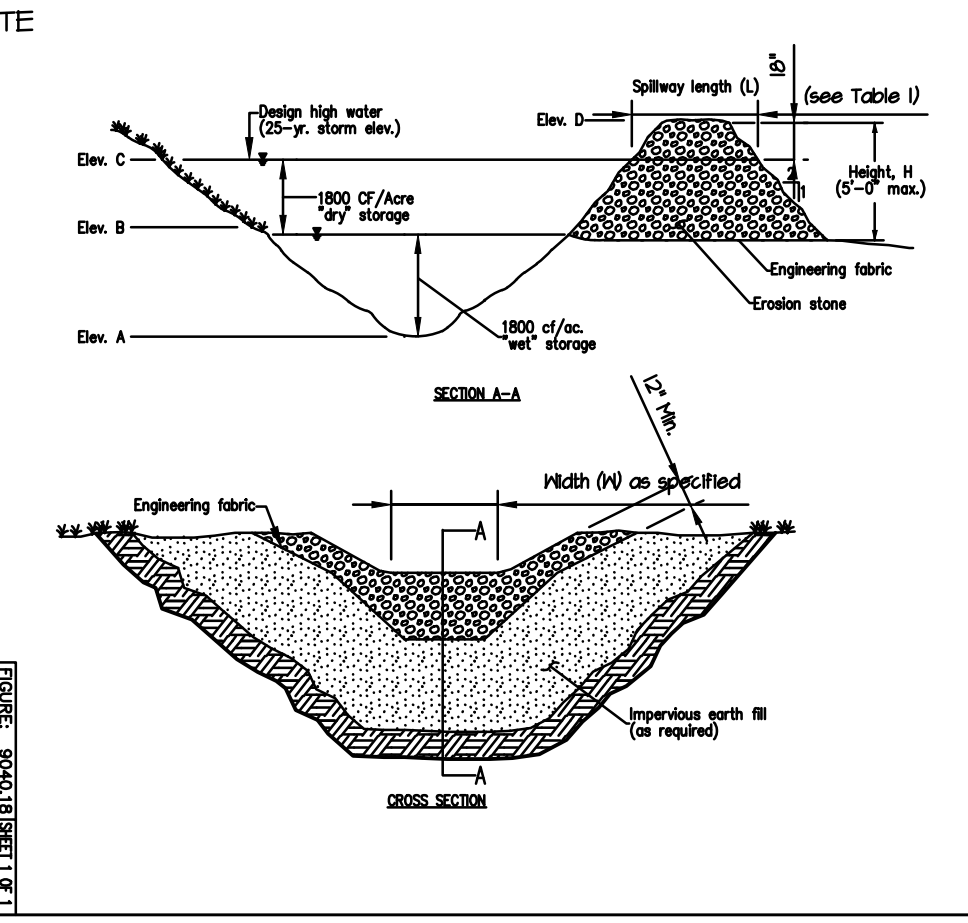
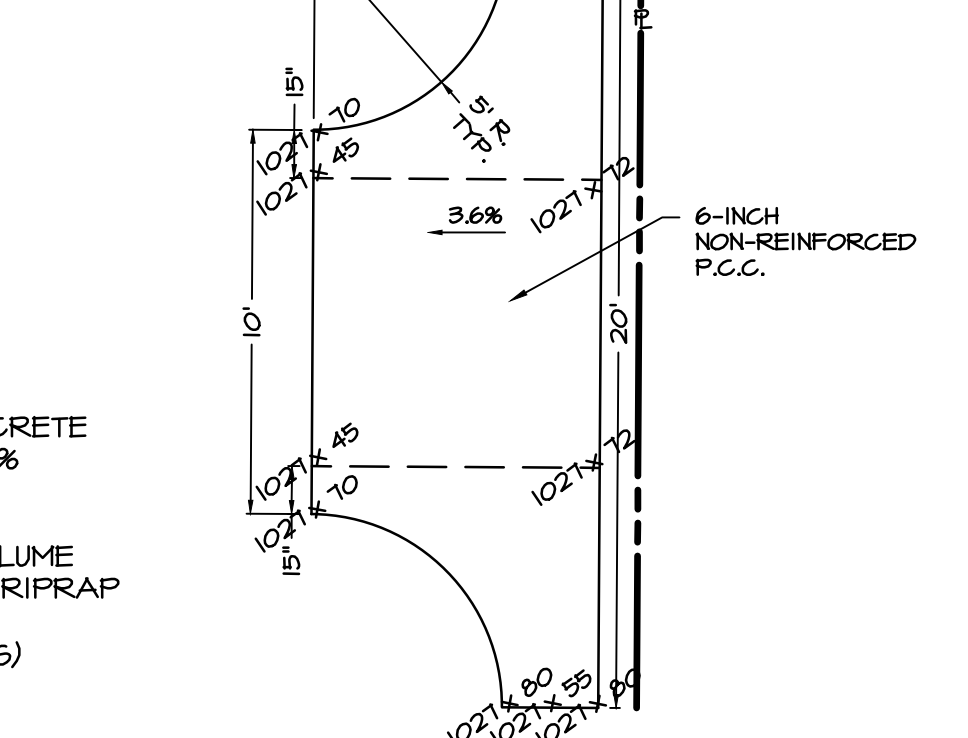


GRADING AND EROSION CONTROL NOTES

- ALL CONSTRUCTION (PUBLIC & PRIVATE) SHALL BE IN ACCORDANCE WITH THE WAUKEE STANDARD SPECIFICATIONS FOR PUBLIC IMPROVEMENTS IN EFFECT AT THE TIME OF CONSTRUCTION. CURRENT SPECIFICATIONS ARE AVAILABLE ONLINE AT: WWW.WAUKEE.ORG/PDF5/WKEE_STD_SPEC_2005A.PDF
- CONTRACTOR SHALL ARRANGE FOR TESTING AND INSPECTION AND NOTIFY THE FOLLOWING AT LEAST ONE WEEK PRIOR TO BEGINNING CONSTRUCTION:
 - CITY OF WAUKEE
 - JERRY'S HOMES, INC.
 - CIVIL ENGINEERING CONSULTANTS, INC.
 - IOWA ONE-CALL
- THE LOCATION OF EXISTING FACILITIES AND APPURTENANCES SHOWN ON THIS PLAN ARE BASED ON AVAILABLE INFORMATION WITHOUT UNCOVERING AND MEASURING TO DETERMINE EXACT FACILITIES LOCATIONS. CIVIL ENGINEERING CONSULTANTS, INC. DOES NOT GUARANTEE THE LOCATION OF EXISTING FACILITIES AS SHOWN, OR THAT ALL EXISTING FACILITIES ARE SHOWN. IT IS THE CONTRACTOR'S RESPONSIBILITY TO CONTACT ALL PUBLIC AND PRIVATE UTILITY PROVIDERS SERVING THIS AREA, AND IOWA ONE CALL, TO DETERMINE THE EXTENT AND PRECISE LOCATION OF EXISTING FACILITIES BEFORE CONSTRUCTION BEGINS.
- THE CONTRACTOR SHALL PROTECT EXISTING ON-SITE FACILITIES FROM DAMAGE RESULTING FROM THE CONTRACTOR'S WORK. IF DAMAGE, BREAKAGE, INTERRUPTION OF SERVICE, ETC., OF EXISTING FACILITIES DOES OCCUR THE CONTRACTOR SHALL IMMEDIATELY CONTACT THE UTILITY'S OWNER.
- FILL DIRT HAS BEEN HAULED IN TO RAISE THIS SITE UP. TOPSOIL ON THIS SITE MAY HAVE BEEN BURIED IN THE PROCESS. IT IS RECOMMENDED THAT THE BUILDER PERFORM SOILS TESTING ON EACH LOT PRIOR TO HOME CONSTRUCTION.
- STRIP ALL VISIBLE TOPSOIL ON-SITE AND STOCKPILE FOR RESPREAD ON LAWN AREAS. LAWN AREAS THAT ARE DISTURBED DURING CONSTRUCTION MUST HAVE AT LEAST 4 INCHES OF TOPSOIL AT THE TIME OF FINAL STABILIZATION IF THERE WAS AT LEAST 4 INCHES OF TOPSOIL PRIOR TO DISTURBANCE. IF 4-INCHES OF TOPSOIL IS NOT AVAILABLE ON SITE THE CONTRACTOR SHALL HAUL TOPSOIL IN OR AMEND THE SOIL WITH COMPOST AT A RATE OF 1" PER EVERY 3" OF SOIL PER SUDAS SECTION 2010, 2.01.
- UNLESS GRADING FOR A DESIGNED SUMP OR LOW POINT AREA, GRADE ALL SITE AREAS TO DRAIN WITHOUT TRAPPING OR PONDING SURFACE WATER WHEN SITE GRADING IS COMPLETE.
- FINAL GRADE ELEVATIONS OF ALL PAVED AREAS SHALL BE WITHIN 0.10 FEET OF PLAN GRADE UNLESS STATED OTHERWISE IN THE WAUKEE STANDARD SPECIFICATIONS FOR PUBLIC IMPROVEMENTS. LAWN AREAS SHALL BE WITHIN 0.20-FEET OF PLAN GRADE.
- SPOT ELEVATIONS ON PAVED SURFACES ARE TOP OF SLAB ELEVATIONS UNLESS NOTED OTHERWISE.
- CIVIL ENGINEERING CONSULTANTS, INC. IS NOT A GEOTECHNICAL ENGINEER.
- A GEOTECHNICAL REPORT FOR THIS PROJECT CAN BE OBTAINED BY CONTACTING THE OWNER.
- A MINIMUM OF ONE FOOT OF COMPACTED CLAY SOIL LINER SHALL BE PROVIDED IN THE POND BELOW THE PERMANENT POOL ELEVATION. POND SLOPES SHALL BE DISKED & COMPACTED PRIOR TO PLACEMENT OF LINER. AREAS ENCOUNTERING SAND SHALL BE OVEREXCAVATED A MINIMUM OF 2 FEET & UP TO 5 FEET. THESE AREAS SHOULD BE FILLED IN WITH COHESIVE ENGINEERED COMPACTED FILL. IF SEEPAGE IS ENCOUNTERED ABOVE PERMANENT POOL, AN INTERCEPTOR DRAIN MAY BE REQUIRED. THE NECESSITY FOR THE DRAIN SHALL BE DETERMINED BY THE GEOTECH DURING POND CONSTRUCTION. CONTACT GEOTECH @ 515-486-3019 TO SCHEDULE OBSERVATION & TESTING.
- AN ASBUILT PLAN SET SHALL BE PROVIDED UPON COMPLETION OF SITE IMPROVEMENTS INCLUDING DIMENSIONS, ELEVATIONS AND SPOT ELEVATIONS FOR ALL OVERLAND FLOWAGE EASEMENTS AT EACH LOCATION WHERE THE EASEMENT CROSSES A PROPERTY LINE, INCLUDING STREET ROADS.
- ALL DETENTION POND GRADINGS SHALL BE FIELD VERIFIED BY DESIGN ENGINEER AND ASBUILTS SHALL BE PROVIDED TO THE CITY WITH A LETTER OF CERTIFICATION FROM THE ENGINEER THAT THE POND WAS CONSTRUCTED TO DESIGN.
- THE CONTRACTOR SHALL CERTIFY ON THE ASBUILT PLAN THAT THE STORMWATER MANAGEMENT FACILITY HAS CONSTRUCTED TO ADDRESS ALL PROPERTIES WITHIN THE DEVELOPMENT.

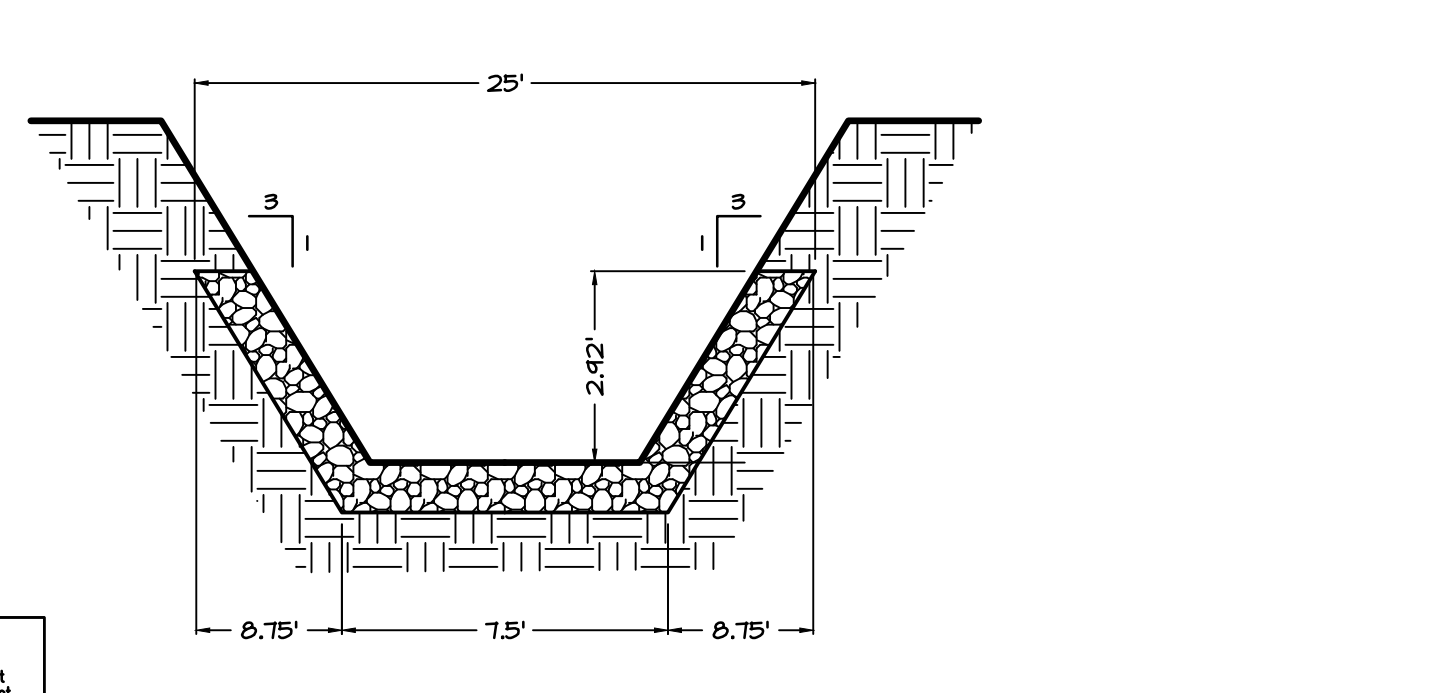
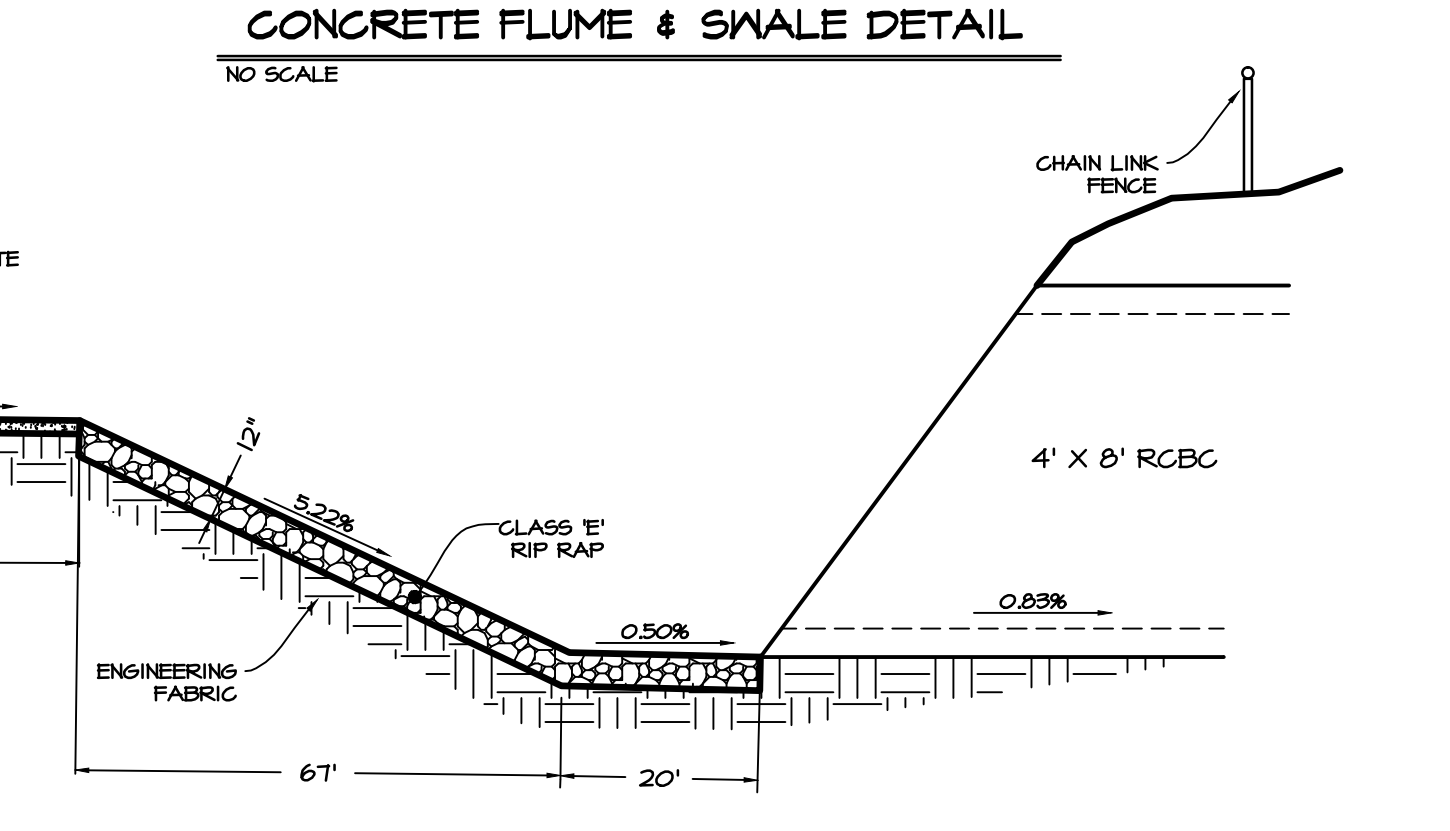
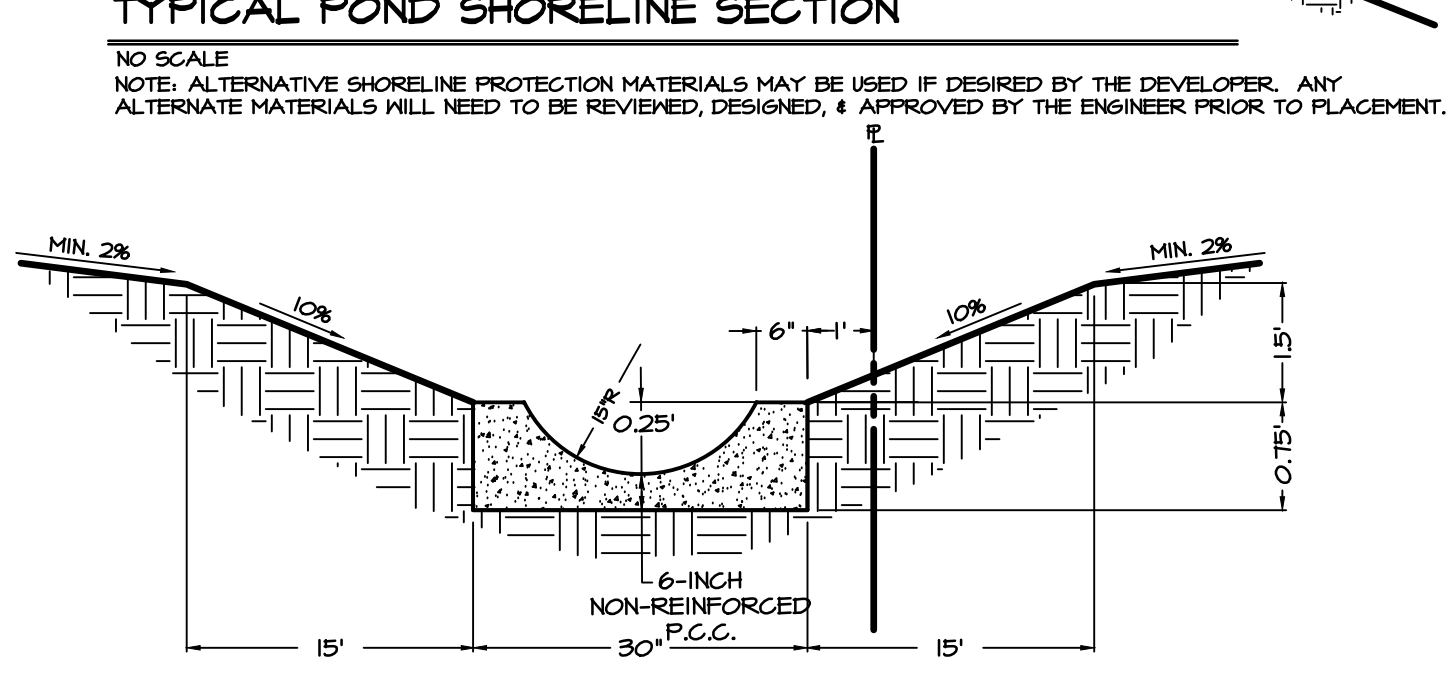
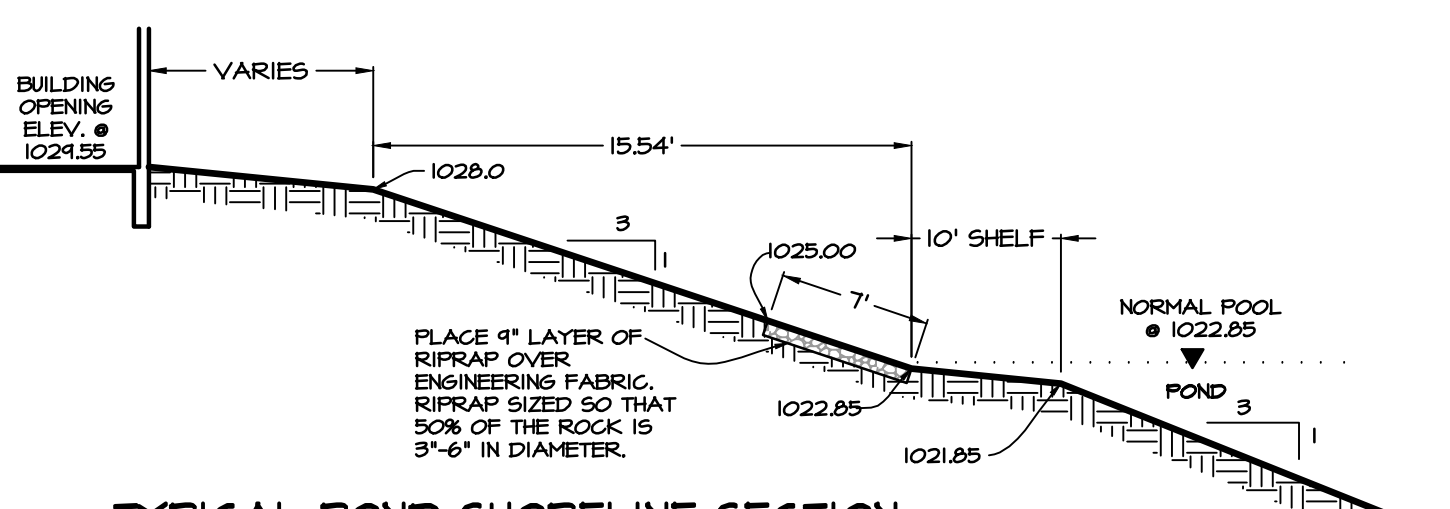
MINIMUM OPENING ELEVATIONS

LOT 1	= 1024.55
LOT 2	= 1024.55
LOT 3	= 1024.55
LOT 4	= 1024.55
LOT 5	= 1024.55
LOT 6	= 1030.00
LOT 7	= 1031.00
LOT 8	= 1031.00
LOT 9	= 1031.00
LOT 10	= 1031.50
LOT 11	= 1031.50
LOT 12	= 1032.50



QUANTITIES

- 565 L.F. CONCRETE FLUME
- 1 EA. CONCRETE FLUME APRON
- 4 EA. INLET FILTER / FILTER SOCK
- 1,225 L.F. SILT FENCE
- AREA DISTURBED = 4.68 AC.
- 1 L.S. REMOVE 80 L.F. OF EXISTING 4-FOOT CONCRETE FLUME ON LOT 5, PLAT 4.



LEGEND

EXISTING/PROPOSED

- PLAT BOUNDARY
- SAN. SANITARY SEWER & SIZE
- WATER MAIN & SIZE
- STORM SEWER & SIZE
- MANHOLE
- STORM INTAKE
- FIRE HYDRANT
- VALVE
- SILT FENCE
- SEDIMENT TRAP
- INLET FILTER / FILTER SOCK

IOWA ONE-CALL
800/292-0889
CALL BEFORE YOU DIG

DATE: 06-11-2012
REVISION: 07-06-2012
REVISION: 07-18-2012
REVISION: 08-06-2012
REVISION: 08-22-2012

SHEET 2 OF 2